

# Closetree

**2023 Specification / Price Book**



**NATIONS**  
CABINERY

[nationscabinetry.com](http://nationscabinetry.com)



# NATIONS

## CABINETY

### Warranty Process

**2 day off shelf** – Will be for items that we have on our shelves such as hinges, guides, bumpers, tuk, caulk and literature.

- Will ship within 48 hours via UPS or truck available to ship in that time.

**5 day** – Will be for items such as drawer boxes, doors, moldings and accessories and small amount of cabinets (please contact your CS Representative).

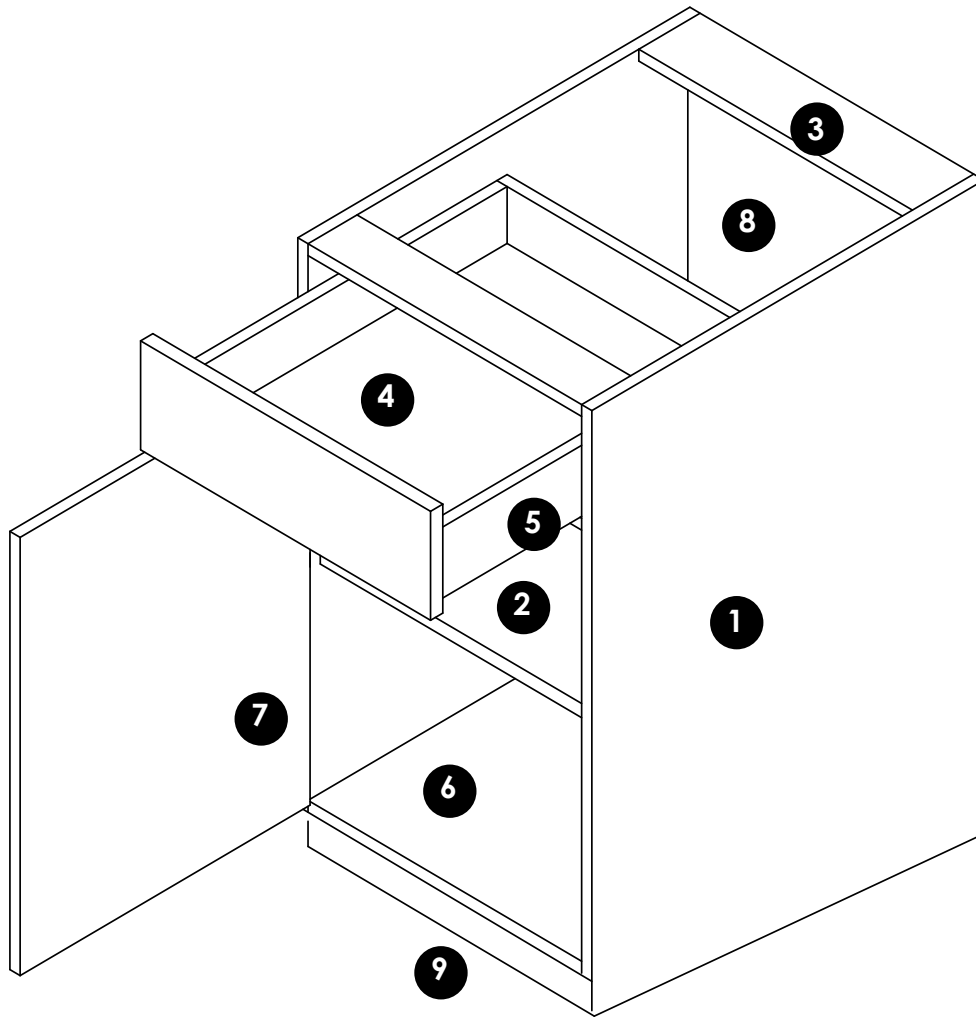
- Will ship out in 5 days via UPS or truck available to ship in that time.
- Chargeable orders will incur a 35 % up-charge.
- Warranty orders due to factory issues will not have an up charge, but a reference number and description of issue must be provided at time order is placed.
- No custom paint or per drawings will be allowed.

**8 day** – Will be for items such as doors, accessories, moldings, drawer boxes and cabinets (5 per truck).

- Will ship out in 8 days via UPS or truck available to ship in that time.
- Chargeable orders will incur a 15% up-charge.
- Warranty orders due to factory issues will not have an up charge, but a reference number and description of issue must be provided at time order is placed.

Thank You,

Nations Cabinetry Team



**Closetree - Standard Construction**  
**Closetree Cabinetry comes standard with MI/ME**

- 1. **End Panels** = 3/4" Substrate
- 2. **Shelves** = 3/4" Substrate fully adjustable, full depth shelves
- 3. **Stretchers** = 3/4" Plywood
- 4. **Drawers** = -Solid Wood Dovetail Drawer box
- 5. **Drawer Guides** = Soft Close, full extension undermount drawer guides
- 6. **Tops and Bottoms** = 3/4" Substrate
- 7. **Hinges** = 6 - way adjustable, soft close and concealed hinge
- 8. **Backs** = 1/4" Substrate
- 9. **Toe Kicks** = Come standard as Flush Toe Kick

## Material Information:

### Acrylic

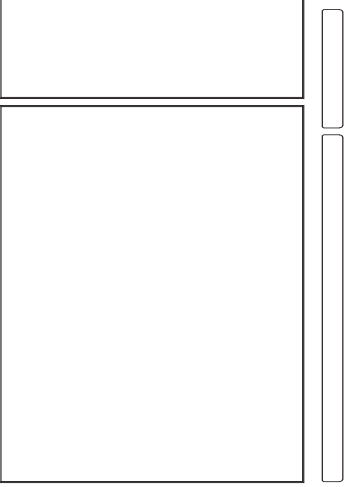

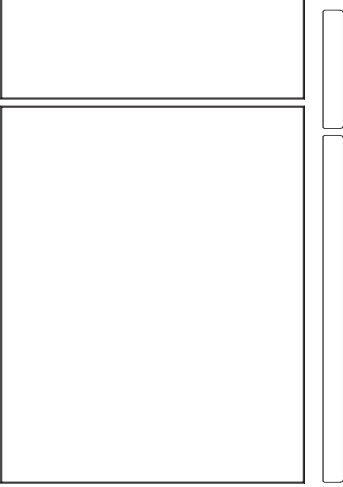

Impeccable surface consistency, scratch resistant high gloss surface and color richness that enhances depth and clarity.

### Textured Melamine

Colorful textured melamine that has character with a designer-friendly focus. Authentic to the touch, with the benefits of value and durability, it's a smart surface that you can love.

### Matte Acrylic

Impeccable surface consistency, scratch resistant Matte surface and color richness that enhances depth and clarity.

| <p><b>Logan</b><br/>Full Overlay Door</p> <table border="1" style="width: 100%; border-collapse: collapse; margin-bottom: 10px;"> <tr> <th colspan="6">MATERIAL</th> </tr> <tr> <td style="width: 16.6%;">OAK</td> <td style="width: 16.6%;">MAPLE</td> <td style="width: 16.6%;">ACRYLIC</td> <td style="width: 16.6%;">TM</td> <td style="width: 16.6%;">MATTE</td> <td style="width: 16.6%;">PAINT</td> </tr> <tr> <td></td> <td></td> <td></td> <td style="text-align: center;">✓</td> <td></td> <td></td> </tr> </table> <div style="display: flex; align-items: center;"> <div style="flex: 1;">  </div> <div style="flex: 1; padding-left: 10px;"> <p><b>DOOR SPECS:</b></p> <ul style="list-style-type: none"> <li>Slab door</li> <li>Slab Drawer Front</li> <li>Horizontal Grain</li> </ul> </div> </div> <div style="margin-top: 20px; display: flex; align-items: center;">  <div style="margin-left: 5px;">3/4"</div> </div> <p style="text-align: center; margin-top: 5px;">Square Outside Profile</p> | MATERIAL |         |    |       |       |  | OAK | MAPLE | ACRYLIC | TM | MATTE | PAINT |  |  |  | ✓ |  |  | <p><b>Urban 2</b><br/>Full Overlay Door</p> <table border="1" style="width: 100%; border-collapse: collapse; margin-bottom: 10px;"> <tr> <th colspan="6">MATERIAL</th> </tr> <tr> <td style="width: 16.6%;">OAK</td> <td style="width: 16.6%;">MAPLE</td> <td style="width: 16.6%;">ACRYLIC</td> <td style="width: 16.6%;">TM</td> <td style="width: 16.6%;">MATTE</td> <td style="width: 16.6%;">PAINT</td> </tr> <tr> <td></td> <td></td> <td style="text-align: center;">✓</td> <td style="text-align: center;">✓</td> <td style="text-align: center;">✓</td> <td></td> </tr> </table> <div style="display: flex; align-items: center;"> <div style="flex: 1;">  </div> <div style="flex: 1; padding-left: 10px;"> <p><b>DOOR SPECS:</b></p> <ul style="list-style-type: none"> <li>Slab door</li> <li>Slab Drawer Front</li> </ul> </div> </div> <div style="margin-top: 20px; display: flex; align-items: center;">  <div style="margin-left: 5px;">3/4"</div> </div> <p style="text-align: center; margin-top: 5px;">Square Outside Profile</p> | MATERIAL |  |  |  |  |  | OAK | MAPLE | ACRYLIC | TM | MATTE | PAINT |  |  | ✓ | ✓ | ✓ |  |
|---|----------|---------|----|-------|-------|--|-----|-------|---------|----|-------|-------|--|--|--|---|--|--|---|----------|--|--|--|--|--|-----|-------|---------|----|-------|-------|--|--|---|---|---|--|
| MATERIAL  |          |         |    |       |       |  |     |       |         |    |       |       |  |  |  |   |  |  |   |          |  |  |  |  |  |     |       |         |    |       |       |  |  |   |   |   |  |
| OAK   | MAPLE    | ACRYLIC | TM | MATTE | PAINT |  |     |       |         |    |       |       |  |  |  |   |  |  |   |          |  |  |  |  |  |     |       |         |    |       |       |  |  |   |   |   |  |
|   |          |         | ✓  |       |       |  |     |       |         |    |       |       |  |  |  |   |  |  |   |          |  |  |  |  |  |     |       |         |    |       |       |  |  |   |   |   |  |
| MATERIAL  |          |         |    |       |       |  |     |       |         |    |       |       |  |  |  |   |  |  |   |          |  |  |  |  |  |     |       |         |    |       |       |  |  |   |   |   |  |
| OAK   | MAPLE    | ACRYLIC | TM | MATTE | PAINT |  |     |       |         |    |       |       |  |  |  |   |  |  |   |          |  |  |  |  |  |     |       |         |    |       |       |  |  |   |   |   |  |
|   |          | ✓       | ✓  | ✓     |       |  |     |       |         |    |       |       |  |  |  |   |  |  |   |          |  |  |  |  |  |     |       |         |    |       |       |  |  |   |   |   |  |

## Hinge and Drawer Information

| HINGE COUNT               |          |
|---------------------------|----------|
| 12" to 30" Cabinet Height | 2 Hinges |
| 36" to 42" Cabinet Height | 3 Hinges |
| 48" to 60" Cabinet Height | 4 Hinges |

| DRAWER GUIDE WEIGHT INFORMATION |        |                         |
|---------------------------------|--------|-------------------------|
| QUADRO V6                       | 90 LBS | SOFT CLOSE DRAWER GUIDE |
| INNO TECH W/V6                  | 66 LBS | METAL DRAWER GUIDE      |

**Color Selection:**

**Acrylic**

Dark Gray



White

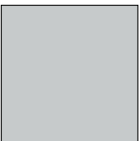


**Matte Acrylic**

Pebble Grey



Ice Grey



Snow White



**Textured Melamine**

Greggio Pine  
*Heavy Texture*



Merapi  
*Light Texture*



Morning Fog  
*Heavy Texture*



Sahalie Pine  
*Heavy Texture*



Seared Oak  
*Heavy Texture*



Toasted Oak  
*Heavy Texture*



Contact your CS Representative for formulations to buy your finishes at your local Sherwin Williams. These Sherwin Williams formulas can be used for painting other areas of the home. It is recommended that you purchase touch-up kits, pens and putty sticks so cabinetry can be touched up after installation.

## Care, Cleaning and Misc:

Once your new cabinetry has been installed and touched up, cleaning is the most important item that must be done. During normal installation, sawdust and other materials may be in the cabinet. To properly care for you cabinetry, remove dust from cabinets frequently with a soft lint-free cloth. You may slightly dampen your cloth with water or spray-type dust remover. If you spill anything on you cabinets, clean immediately. Use a clean cloth and mild soap if necessary. Wipe dry with clean, soft cloth.

To keep your cabinets beautiful, avoid spray-type polishes containing petroleum solvents. Wood cabinetry finishes may be cleaned and protected using any commercial cleaning polish. Use any polishes that are formulated without wax, petroleum solvents or silicone. The extended use of wax polishes can result in a wax film build-up. The use of silicone polishes can harm the cabinet finish. Do not use a dish cloth to wipe your cabinets exterior, as it may contain remnants of grease or detergent.

For everyday care, it is important to wipe up spills and water marks as they occur. Give special attention to areas around the sink and dishwasher.

Use a quality furniture polish found at your local super market.

Caring for the natural beauty of your Nations Cabinetry means proper maintenance. Here is how to prevent damages:

1. Excess water, when left unattended, can cause white spots and haziness to the finish and even damage the wood itself. Always remove excess liquid promptly, especially in moisture-prone areas, such as sink, range, dishwasher and baseboard areas.
2. Direct Sunlight can cause exposed areas to lighten or darken over time. When possible, keep cabinets out of direct sunlight or draw curtains during the sunniest part of the day. Be especially careful with cherry and maple cabinets.
3. Smoke and grease can form a hard film over time, dulling the finish. Routine cleaning can prevent long term damage.

**CAUTION:** The use of self-cleaning appliances can generate intense heat during the cleaning cycle. The integrity of the appliance seal or appliance door gaskets may be compromised with age, or improper installation, etc. We recommend the removal of the doors and pulling out the drawer on the cabinet adjacent to or directly above the appliance during a cleaning cycle.

### SURFACE DAMAGE

As careful as you are, there may still be times when your new cabinets will get nicks and scratches. Your dealer has cabinet touch-up kits. It is a smart idea to purchase one of these kits to make small repairs as needed.

### SCRATCHES & SCRAPES

Most cabinet scratches can be touched up using a matching touch-up marker that is available from your dealer.

### NICKS OR GOUGES

A deeper damage requires using a soft fill stick. This will make the necessary repairs.

**NOTE:** Scratches across the grain are very difficult to repair and damages that are more substantial should be repaired by a professional finisher to prevent possible finish or surface damage.

## Care, Cleaning and Misc:

Wood is hygroscopic - meaning, when exposed to air, wood will lose or gain moisture until it is in equilibrium with the humidity and temperature of its environment. Tidwell Cabinetry closely monitors the moisture content of its product up until the point it is placed on the truck for delivery. Even then, protective coatings cannot prevent wood from gaining or losing moisture; they merely slow the process.

Most of the shrinkage and expansion problems with wood cabinetry involve job site or storage moisture conditions. These conditions cannot be controlled by cabinet manufacturers or in many instances by sub-contractors responsible for installing the cabinetry, unless interior humidity is maintained at proper levels.

For wood cabinetry professionals, it is important to inform users about the normal and expected behavior of wood in relation to moisture and the environment. Most wood cabinetry will contract during periods of low humidity, which is usually during the heating season, or expand during periods of high humidity. To help minimize these effects, it is important that users balance the environment of the building through temperature and humidity control.

Fortunately wood cabinetry performs at its best both during and after installation, when the relative humidity range of 30 to 50 percent and temperature range of 60 to 80 degrees, the range most people find comfortable.

## Installation Do's and Dont's

It is recommended that you use a professional installer to install your cabinetry.

It is best to begin the installation with the wall cabinets, this way there won't be any base cabinets to work around.

Secure the cabinet to the studs using at least two screws per stud. Evenly space the screws between the top and bottom of the cabinet.

It is always best to verify there is at least one stud behind each cabinet in the middle of a run, and at least two studs behind each cabinet at the end of a run.

Floating cabinetry and floating shelves require additional support at time of installation.

Install only one cabinet at a time, always making sure it is level and plumb.

Wall cabinetry that is above standard depth should be installed between cabinets, or have extra support against wall.

Drill not only into wall but through attaching face frame to insure cabinets are secure. When adjacent cabinet is attached to previous cabinet, be sure to fully tighten the previous wall cabinet wall screws

Never use sheet rock/flat head screws. Only use #10 x 2 1/2" through cabinets into walls and recommended #8 x 2 1/2" phillips pan or trim head screws when joining cabinets.



| <b>Options Upcharge</b>      |                          |                         |
|------------------------------|--------------------------|-------------------------|
| FAS                          | FULL ADJUSTABLE SHELF    | \$130 List              |
| NODR                         | NO DOOR(S)               | -20% OF LEVEL PRICE     |
| NBS                          | NO BOTTOM SHELF          | NO CHARGE               |
| NBK                          | NO BACK                  | -10% OF LEVEL PRICE     |
| MTD                          | METAL DRAWER BOX UPGRADE | \$270 PER DRAWER        |
| <b>Aluminum door options</b> |                          |                         |
| AF3CLR                       | AF003 W/CLEAR            | \$141 P/SQFT OF DOOR(S) |
| AF3LID                       | AF003 LISTRAL-D          | \$185 P/SQFT OF DOOR(S) |
| AF3LIC                       | AF003 LOW IRON CLEAR     | \$157 P/SQFT OF DOOR(S) |
| AF3LIS                       | AF003 W/LOW IRON SATIN   | \$185 P/SQFT OF DOOR(S) |
| AF3REE                       | AF003 W/REEDED           | \$185 P/SQFT OF DOOR(S) |
| AF3SAT                       | AF003 W/SATIN            | \$164 P/SQFT OF DOOR(S) |
| AF7CLR                       | AF007 W/ CLEAR           | \$150 P/SQFT OF DOOR(S) |
| AF7LID                       | AF007 W/LISTRAL-D        | \$193 P/SQFT OF DOOR(S) |
| AF7LIC                       | AF007 W/ LOW IRON CLEAR  | \$164 P/SQFT OF DOOR(S) |
| AF7LIS                       | AF007 W/LOW IRON SATIN   | \$193 P/SQFT OF DOOR(S) |
| AF7REE                       | AF007 W/ REEDED          | \$193 P/SQFT OF DOOR(S) |
| AF7SAT                       | AF007 W/SATIN            | \$172 P/SQFT OF DOOR(S) |

# Introduction

| OPTIONS |     |     |     |     |      |
|---------|-----|-----|-----|-----|------|
| AF      | FAS | MTD | NBK | NBS | NODR |

Options

## Aluminum Doors - AF\*\*\*\*

Example = CBAD153415-AF7LIS

- When AF\*\*\*\* is selected, the door is changed to aluminum/glass insert door
- Front N/A in AF option
- Door shipped uninstalled, w/cabinet

AF3CLR      AF7LIS  
 AF3LID      AF7REE  
 AF3LIC      AF7SAT  
 AF3LIS  
 AF3REE  
 AF3SAT  
 AF7CLR  
 AF7LID  
 AF7LIC

### Frames



### Inserts



### Finish

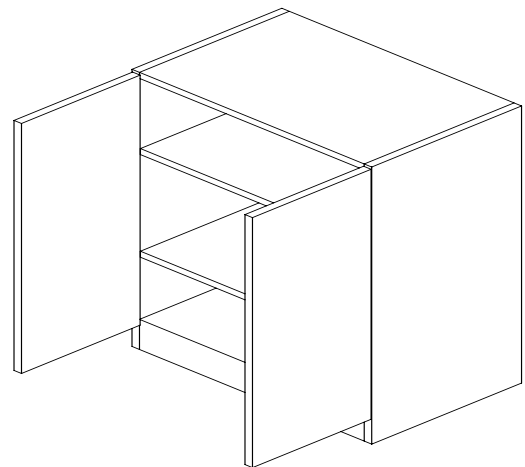


| OPTIONS |     |     |     |     |      |
|---------|-----|-----|-----|-----|------|
| AF      | FAS | MTD | NBK | NBS | NODR |

## Full Adjustable Shelves - FAS

Example = CBAD153415-FAS

- -FAS adds additional shelves to cabinet
- Second -FAS can be added to cabinet and charged accordingly (-2FAS)



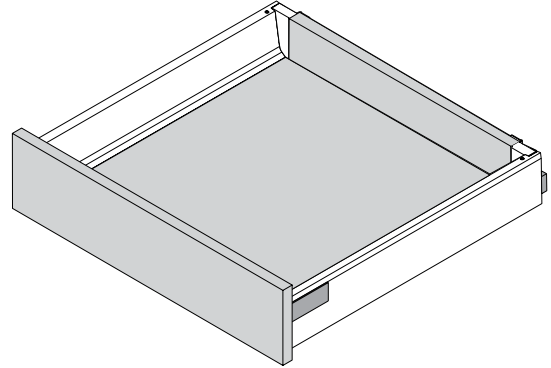
Shaded options are construction options that are available on selected cabinet

| OPTIONS |     |     |     |     |      |
|---------|-----|-----|-----|-----|------|
| AF      | FAS | MTD | NBK | NBS | NODR |

## Metal Drawer - MTD

Example = CB153415-MTD

- -MTD ordered will convert the standard Drawer Box to an metal drawer box w/ matching bottom, front and back
- Standard MTD drawer box height is 3 1/4"
- MTD comes with soft close, full extension undermount drawer guides



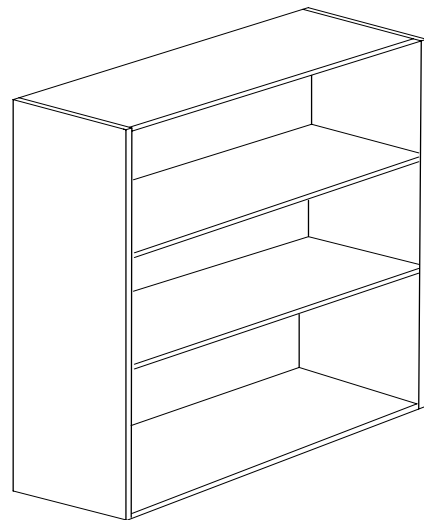
Options

| OPTIONS |     |     |     |     |      |
|---------|-----|-----|-----|-----|------|
| AF      | FAS | MTD | NBK | NBS | NODR |

## No Back - NBK

Example = COW313015-NBK

- -NBK option removes back of cabinet



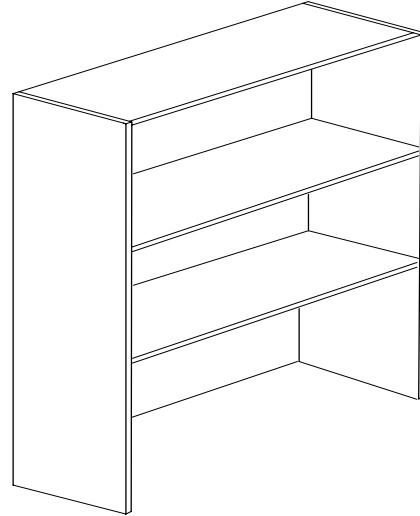
| OPTIONS |     |     |     |     |      |
|---------|-----|-----|-----|-----|------|
| AF      | FAS | MTD | NBK | NBS | NODR |

Options

## No Bottom Shelf - NBS

Example = COW313015-NBS

- NBS option removes bottom shelf and bottom rail

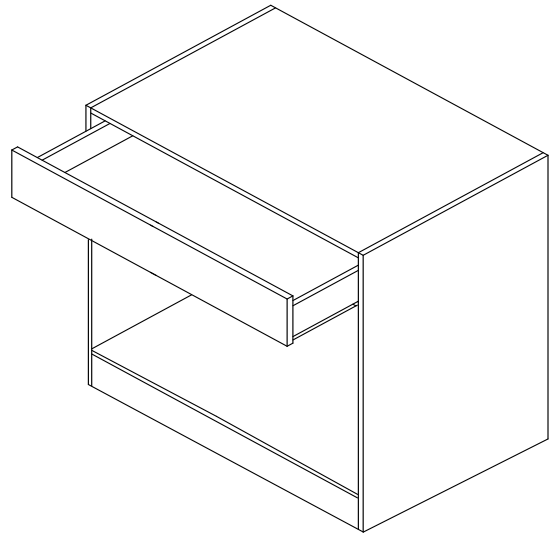


| OPTIONS |     |     |     |     |      |
|---------|-----|-----|-----|-----|------|
| AF      | FAS | MTD | NBK | NBS | NODR |

## No Door - NODR

Example = CBAD153415-NODR

- NODR voids doors only
- Shelves, drawers and drawer fronts remain (where applicable)



# Price Levels

| Price level | Style Description   |
|-------------|---|
| 1           | CT.URBAN-2-TM LGT TXT (Merapi)  |
| 1           | CT.LOGAN TM LGT TXT (Merapi)  |
|             |   |
| 2           | CT.URBAN-2-TM HVY TXT (Toasted Oak, Seared Oak & Sahalie Pine, Gregio Pine and Morning Fog) |
| 2           | CT.LOGAN TM HVY TXT (Toasted Oak, Seared Oak & Sahalie Pine, Gregio Pine and Morning Fog)   |
|             |   |
| 5           | CT.URBAN-2-MATTE ACRYLIC  |
|             |   |
| 7           | CT.URBAN-2 ACRYLIC-A (White)  |
|             |   |
| 8           | CT.URBAN-2 ACRYLIC-B (Dark Gray)  |

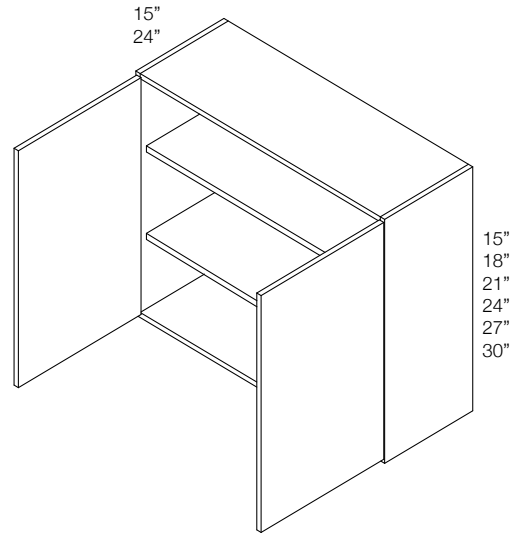
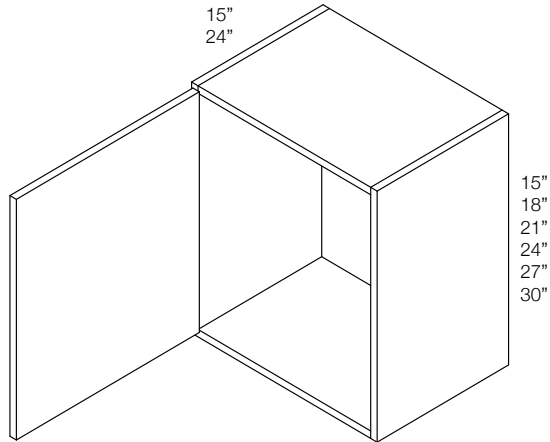
## Closet Wall Cabinets

### OPTIONS

| AF | FAS | MTD | NBK | NBS | NODR |
|----|-----|-----|-----|-----|------|
|----|-----|-----|-----|-----|------|

### NOTES:

- 15" thru 21" high come with no shelf
- 24" thru 27" high come with 1 shelf
- 30" comes with 2 shelves



Closetree

|           | CUBES | 1   | 2   | 3   | 4   | 5   | 6     | 7     | 8     |
|-----------|-------|-----|-----|-----|-----|-----|-------|-------|-------|
| CLW151515 | 2     | 602 | 625 | 672 | 723 | 778 | 841   | 907   | 980   |
| CLW151524 | 4     | 602 | 625 | 672 | 723 | 778 | 841   | 907   | 980   |
| CLW151815 | 3     | 617 | 639 | 686 | 738 | 796 | 859   | 927   | 1,004 |
| CLW151824 | 4     | 617 | 639 | 686 | 738 | 796 | 859   | 927   | 1,004 |
| CLW152115 | 3     | 627 | 650 | 698 | 750 | 809 | 875   | 946   | 1,023 |
| CLW152124 | 5     | 627 | 650 | 698 | 750 | 809 | 875   | 946   | 1,023 |
| CLW152415 | 4     | 647 | 672 | 720 | 778 | 838 | 905   | 980   | 1,062 |
| CLW152424 | 5     | 647 | 672 | 720 | 778 | 838 | 905   | 980   | 1,062 |
| CLW152715 | 4     | 674 | 700 | 753 | 811 | 877 | 948   | 1,026 | 1,111 |
| CLW152724 | 6     | 674 | 700 | 753 | 811 | 877 | 948   | 1,026 | 1,111 |
| CLW153015 | 4     | 698 | 724 | 779 | 842 | 908 | 985   | 1,065 | 1,155 |
| CLW153024 | 7     | 698 | 724 | 779 | 842 | 908 | 985   | 1,065 | 1,155 |
| CLW181515 | 3     | 627 | 650 | 698 | 750 | 809 | 875   | 946   | 1,023 |
| CLW181524 | 4     | 627 | 650 | 698 | 750 | 809 | 875   | 946   | 1,023 |
| CLW181815 | 3     | 683 | 709 | 763 | 822 | 887 | 960   | 1,039 | 1,125 |
| CLW181824 | 5     | 683 | 709 | 763 | 822 | 887 | 960   | 1,039 | 1,125 |
| CLW182115 | 4     | 694 | 720 | 778 | 838 | 905 | 980   | 1,062 | 1,150 |
| CLW182124 | 6     | 694 | 720 | 778 | 838 | 905 | 980   | 1,062 | 1,150 |
| CLW182415 | 4     | 702 | 729 | 785 | 849 | 915 | 990   | 1,073 | 1,165 |
| CLW182424 | 6     | 702 | 729 | 785 | 849 | 915 | 990   | 1,073 | 1,165 |
| CLW182715 | 5     | 732 | 761 | 822 | 887 | 959 | 1,037 | 1,124 | 1,221 |
| CLW182724 | 7     | 732 | 761 | 822 | 887 | 959 | 1,037 | 1,124 | 1,221 |
| CLW183015 | 5     | 756 | 785 | 846 | 915 | 990 | 1,073 | 1,162 | 1,265 |
| CLW183024 | 8     | 756 | 785 | 846 | 915 | 990 | 1,073 | 1,162 | 1,265 |

|           | CUBES | 1   | 2   | 3     | 4     | 5     | 6     | 7     | 8     |
|-----------|-------|-----|-----|-------|-------|-------|-------|-------|-------|
| CLW191515 | 3     | 651 | 676 | 726   | 783   | 846   | 913   | 988   | 1,070 |
| CLW191524 | 5     | 651 | 676 | 726   | 783   | 846   | 913   | 988   | 1,070 |
| CLW191815 | 4     | 692 | 719 | 772   | 834   | 901   | 975   | 1,057 | 1,147 |
| CLW191824 | 5     | 692 | 719 | 772   | 834   | 901   | 975   | 1,057 | 1,147 |
| CLW192115 | 4     | 709 | 735 | 791   | 854   | 923   | 999   | 1,082 | 1,173 |
| CLW192124 | 6     | 709 | 735 | 791   | 854   | 923   | 999   | 1,082 | 1,173 |
| CLW192415 | 5     | 719 | 745 | 804   | 867   | 938   | 1,014 | 1,099 | 1,193 |
| CLW192424 | 7     | 719 | 745 | 804   | 867   | 938   | 1,014 | 1,099 | 1,193 |
| CLW192715 | 5     | 750 | 779 | 842   | 908   | 985   | 1,065 | 1,155 | 1,254 |
| CLW192724 | 8     | 750 | 779 | 842   | 908   | 985   | 1,065 | 1,155 | 1,254 |
| CLW193015 | 6     | 775 | 805 | 870   | 941   | 1,019 | 1,104 | 1,196 | 1,300 |
| CLW193024 | 9     | 775 | 805 | 870   | 941   | 1,019 | 1,104 | 1,196 | 1,300 |
| CLW241515 | 4     | 743 | 771 | 831   | 900   | 972   | 1,052 | 1,141 | 1,240 |
| CLW241524 | 5     | 743 | 771 | 831   | 900   | 972   | 1,052 | 1,141 | 1,240 |
| CLW241815 | 4     | 769 | 801 | 863   | 934   | 1,008 | 1,093 | 1,188 | 1,288 |
| CLW241824 | 6     | 769 | 801 | 863   | 934   | 1,008 | 1,093 | 1,188 | 1,288 |
| CLW242115 | 5     | 822 | 856 | 926   | 1,000 | 1,084 | 1,177 | 1,276 | 1,387 |
| CLW242124 | 7     | 822 | 856 | 926   | 1,000 | 1,084 | 1,177 | 1,276 | 1,387 |
| CLW242415 | 5     | 875 | 908 | 985   | 1,065 | 1,156 | 1,254 | 1,364 | 1,483 |
| CLW242424 | 8     | 875 | 908 | 985   | 1,065 | 1,156 | 1,254 | 1,364 | 1,483 |
| CLW242715 | 6     | 915 | 953 | 1,031 | 1,118 | 1,214 | 1,318 | 1,435 | 1,560 |
| CLW242724 | 9     | 915 | 953 | 1,031 | 1,118 | 1,214 | 1,318 | 1,435 | 1,560 |
| CLW243015 | 7     | 953 | 993 | 1,077 | 1,167 | 1,268 | 1,377 | 1,498 | 1,633 |
| CLW243024 | 10    | 953 | 993 | 1,077 | 1,167 | 1,268 | 1,377 | 1,498 | 1,633 |

In keeping with our continuous refinement policy, Nations Cabinetry reserves the right to change design, specifications, materials and prices without notice or obligation to make similar changes in products previously produced.

Single door cabinets require hinging - default is Left

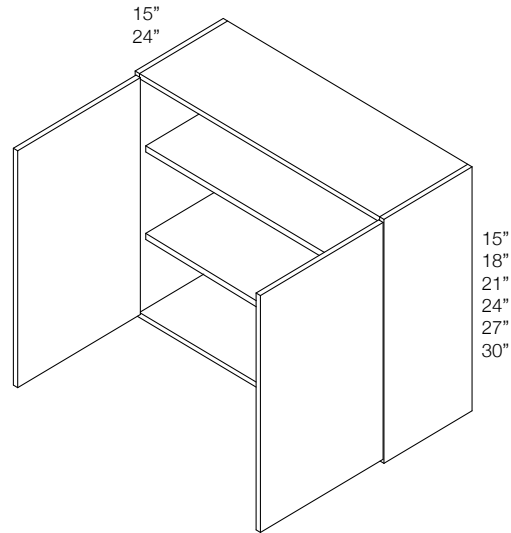
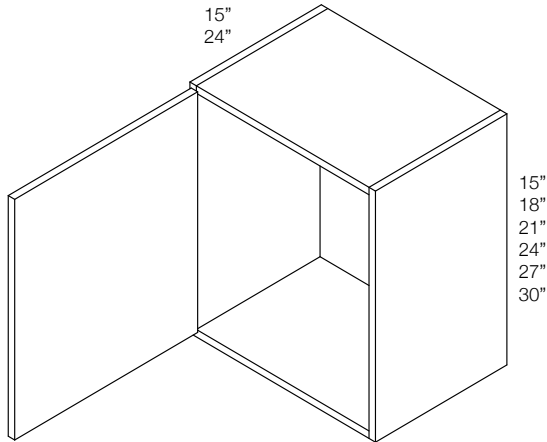
## Closet Wall Cabinets

### OPTIONS

|           |            |            |            |            |             |
|-----------|------------|------------|------------|------------|-------------|
| <i>AF</i> | <i>FAS</i> | <i>MTD</i> | <i>NBK</i> | <i>NBS</i> | <i>NODR</i> |
|-----------|------------|------------|------------|------------|-------------|

### NOTES:

- 15" thru 21" high come with no shelf
- 24" thru 27" high come with 1 shelf
- 30" comes with 2 shelves



Closetree

|           | CUBES | 1     | 2     | 3     | 4     | 5     | 6     | 7     | 8     |
|-----------|-------|-------|-------|-------|-------|-------|-------|-------|-------|
| CLW251515 | 4     | 724   | 753   | 811   | 877   | 948   | 1,026 | 1,111 | 1,207 |
| CLW251524 | 6     | 724   | 753   | 811   | 877   | 948   | 1,026 | 1,111 | 1,207 |
| CLW251815 | 4     | 761   | 791   | 853   | 922   | 999   | 1,082 | 1,173 | 1,273 |
| CLW251824 | 7     | 761   | 791   | 853   | 922   | 999   | 1,082 | 1,173 | 1,273 |
| CLW252115 | 5     | 831   | 864   | 935   | 1,012 | 1,096 | 1,189 | 1,292 | 1,404 |
| CLW252124 | 8     | 831   | 864   | 935   | 1,012 | 1,096 | 1,189 | 1,292 | 1,404 |
| CLW252415 | 6     | 903   | 940   | 1,016 | 1,102 | 1,195 | 1,299 | 1,412 | 1,535 |
| CLW252424 | 9     | 903   | 940   | 1,016 | 1,102 | 1,195 | 1,299 | 1,412 | 1,535 |
| CLW252715 | 6     | 935   | 974   | 1,056 | 1,144 | 1,242 | 1,350 | 1,468 | 1,598 |
| CLW252724 | 10    | 935   | 974   | 1,056 | 1,144 | 1,242 | 1,350 | 1,468 | 1,598 |
| CLW253015 | 7     | 962   | 1,000 | 1,084 | 1,177 | 1,276 | 1,387 | 1,509 | 1,645 |
| CLW253024 | 11    | 962   | 1,000 | 1,084 | 1,177 | 1,276 | 1,387 | 1,509 | 1,645 |
| CLW301515 | 4     | 732   | 761   | 822   | 887   | 959   | 1,037 | 1,124 | 1,221 |
| CLW301524 | 7     | 732   | 761   | 822   | 887   | 959   | 1,037 | 1,124 | 1,221 |
| CLW301815 | 5     | 775   | 805   | 870   | 941   | 1,019 | 1,104 | 1,196 | 1,300 |
| CLW301824 | 8     | 775   | 805   | 870   | 941   | 1,019 | 1,104 | 1,196 | 1,300 |
| CLW302115 | 6     | 854   | 889   | 962   | 1,040 | 1,129 | 1,226 | 1,331 | 1,446 |
| CLW302124 | 9     | 854   | 889   | 962   | 1,040 | 1,129 | 1,226 | 1,331 | 1,446 |
| CLW302415 | 7     | 926   | 964   | 1,044 | 1,130 | 1,228 | 1,332 | 1,450 | 1,579 |
| CLW302424 | 10    | 926   | 964   | 1,044 | 1,130 | 1,228 | 1,332 | 1,450 | 1,579 |
| CLW302715 | 8     | 964   | 1,003 | 1,088 | 1,178 | 1,280 | 1,391 | 1,516 | 1,649 |
| CLW302724 | 12    | 964   | 1,003 | 1,088 | 1,178 | 1,280 | 1,391 | 1,516 | 1,649 |
| CLW303015 | 8     | 1,003 | 1,044 | 1,130 | 1,228 | 1,332 | 1,450 | 1,579 | 1,719 |

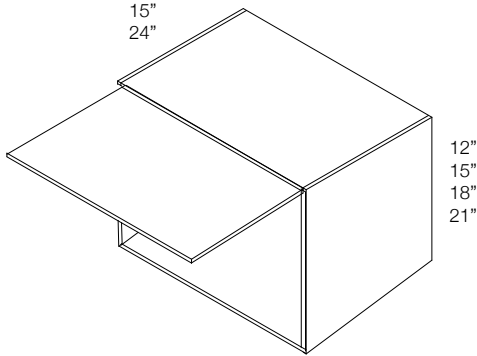
|           | CUBES | 1     | 2     | 3     | 4     | 5     | 6     | 7     | 8     |
|-----------|-------|-------|-------|-------|-------|-------|-------|-------|-------|
| CLW303024 | 13    | 1,003 | 1,044 | 1,130 | 1,228 | 1,332 | 1,450 | 1,579 | 1,719 |
| CLW311515 | 5     | 750   | 779   | 842   | 908   | 985   | 1,065 | 1,155 | 1,254 |
| CLW311524 | 7     | 750   | 779   | 842   | 908   | 985   | 1,065 | 1,155 | 1,254 |
| CLW311815 | 5     | 863   | 896   | 971   | 1,051 | 1,137 | 1,235 | 1,343 | 1,461 |
| CLW311824 | 8     | 863   | 896   | 971   | 1,051 | 1,137 | 1,235 | 1,343 | 1,461 |
| CLW312115 | 6     | 962   | 1,000 | 1,084 | 1,177 | 1,276 | 1,387 | 1,509 | 1,645 |
| CLW312124 | 10    | 962   | 1,000 | 1,084 | 1,177 | 1,276 | 1,387 | 1,509 | 1,645 |
| CLW312415 | 7     | 1,059 | 1,104 | 1,199 | 1,300 | 1,413 | 1,540 | 1,678 | 1,827 |
| CLW312424 | 11    | 1,059 | 1,104 | 1,199 | 1,300 | 1,413 | 1,540 | 1,678 | 1,827 |
| CLW312715 | 8     | 1,097 | 1,144 | 1,242 | 1,350 | 1,469 | 1,598 | 1,740 | 1,899 |
| CLW312724 | 12    | 1,097 | 1,144 | 1,242 | 1,350 | 1,469 | 1,598 | 1,740 | 1,899 |
| CLW313015 | 9     | 1,141 | 1,189 | 1,292 | 1,404 | 1,528 | 1,664 | 1,814 | 1,980 |
| CLW313024 | 14    | 1,141 | 1,189 | 1,292 | 1,404 | 1,528 | 1,664 | 1,814 | 1,980 |



## Closet Lift Door Wall Cabinets

### OPTIONS

|           |            |            |            |            |             |
|-----------|------------|------------|------------|------------|-------------|
| <i>AF</i> | <i>FAS</i> | <i>MTD</i> | <i>NBK</i> | <i>NBS</i> | <i>NODR</i> |
|-----------|------------|------------|------------|------------|-------------|



### NOTES:

- All lift mechanisms are based upon door weight and may require adjustment after final installation
- No Shelf

|            | CUBES | 1     | 2     | 3     | 4     | 5     | 6     | 7     | 8     |
|------------|-------|-------|-------|-------|-------|-------|-------|-------|-------|
| CLDW181215 | 2     | 915   | 941   | 997   | 1,056 | 1,121 | 1,193 | 1,273 | 1,359 |
| CLDW181224 | 4     | 915   | 941   | 997   | 1,056 | 1,121 | 1,193 | 1,273 | 1,359 |
| CLDW181515 | 3     | 915   | 941   | 997   | 1,056 | 1,121 | 1,193 | 1,273 | 1,359 |
| CLDW181524 | 4     | 915   | 941   | 997   | 1,056 | 1,121 | 1,193 | 1,273 | 1,359 |
| CLDW181815 | 3     | 915   | 941   | 997   | 1,056 | 1,121 | 1,193 | 1,273 | 1,359 |
| CLDW181824 | 5     | 915   | 941   | 997   | 1,056 | 1,121 | 1,193 | 1,273 | 1,359 |
| CLDW182115 | 4     | 1,008 | 1,039 | 1,104 | 1,174 | 1,252 | 1,337 | 1,431 | 1,534 |
| CLDW182124 | 6     | 1,008 | 1,039 | 1,104 | 1,174 | 1,252 | 1,337 | 1,431 | 1,534 |
| CLDW191215 | 3     | 935   | 962   | 1,019 | 1,082 | 1,148 | 1,223 | 1,306 | 1,398 |
| CLDW191224 | 4     | 935   | 962   | 1,019 | 1,082 | 1,148 | 1,223 | 1,306 | 1,398 |
| CLDW191515 | 3     | 935   | 962   | 1,019 | 1,082 | 1,148 | 1,223 | 1,306 | 1,398 |
| CLDW191524 | 5     | 935   | 962   | 1,019 | 1,082 | 1,148 | 1,223 | 1,306 | 1,398 |
| CLDW191815 | 4     | 935   | 962   | 1,019 | 1,082 | 1,148 | 1,223 | 1,306 | 1,398 |
| CLDW191824 | 5     | 935   | 962   | 1,019 | 1,082 | 1,148 | 1,223 | 1,306 | 1,398 |
| CLDW192115 | 4     | 1,158 | 1,196 | 1,276 | 1,364 | 1,461 | 1,567 | 1,683 | 1,811 |
| CLDW192124 | 6     | 1,158 | 1,196 | 1,276 | 1,364 | 1,461 | 1,567 | 1,683 | 1,811 |
| CLDW241215 | 3     | 935   | 962   | 1,019 | 1,082 | 1,148 | 1,223 | 1,306 | 1,398 |
| CLDW241224 | 4     | 935   | 962   | 1,019 | 1,082 | 1,148 | 1,223 | 1,306 | 1,398 |
| CLDW241515 | 4     | 935   | 962   | 1,019 | 1,082 | 1,148 | 1,223 | 1,306 | 1,398 |
| CLDW241524 | 5     | 935   | 962   | 1,019 | 1,082 | 1,148 | 1,223 | 1,306 | 1,398 |
| CLDW241815 | 4     | 935   | 962   | 1,019 | 1,082 | 1,148 | 1,223 | 1,306 | 1,398 |
| CLDW241824 | 6     | 935   | 962   | 1,019 | 1,082 | 1,148 | 1,223 | 1,306 | 1,398 |
| CLDW242115 | 5     | 1,158 | 1,196 | 1,276 | 1,364 | 1,461 | 1,567 | 1,683 | 1,811 |
| CLDW242124 | 7     | 1,158 | 1,196 | 1,276 | 1,364 | 1,461 | 1,567 | 1,683 | 1,811 |

|            | CUBES | 1     | 2     | 3     | 4     | 5     | 6     | 7     | 8     |
|------------|-------|-------|-------|-------|-------|-------|-------|-------|-------|
| CLDW251215 | 3     | 931   | 959   | 1,012 | 1,075 | 1,143 | 1,217 | 1,299 | 1,387 |
| CLDW251224 | 5     | 931   | 959   | 1,012 | 1,075 | 1,143 | 1,217 | 1,299 | 1,387 |
| CLDW251515 | 4     | 931   | 959   | 1,012 | 1,075 | 1,143 | 1,217 | 1,299 | 1,387 |
| CLDW251524 | 6     | 931   | 959   | 1,012 | 1,075 | 1,143 | 1,217 | 1,299 | 1,387 |
| CLDW251815 | 4     | 931   | 959   | 1,012 | 1,075 | 1,143 | 1,217 | 1,299 | 1,387 |
| CLDW251824 | 7     | 931   | 959   | 1,012 | 1,075 | 1,143 | 1,217 | 1,299 | 1,387 |
| CLDW252115 | 5     | 931   | 959   | 1,012 | 1,075 | 1,143 | 1,217 | 1,299 | 1,387 |
| CLDW252124 | 8     | 1,106 | 1,141 | 1,215 | 1,295 | 1,386 | 1,485 | 1,594 | 1,712 |
| CLDW301215 | 4     | 931   | 959   | 1,012 | 1,075 | 1,143 | 1,217 | 1,299 | 1,387 |
| CLDW301224 | 7     | 931   | 959   | 1,012 | 1,075 | 1,143 | 1,217 | 1,299 | 1,387 |
| CLDW301515 | 4     | 931   | 959   | 1,012 | 1,075 | 1,143 | 1,217 | 1,299 | 1,387 |
| CLDW301524 | 7     | 931   | 959   | 1,012 | 1,075 | 1,143 | 1,217 | 1,299 | 1,387 |
| CLDW301815 | 5     | 931   | 959   | 1,012 | 1,075 | 1,143 | 1,217 | 1,299 | 1,387 |
| CLDW301824 | 8     | 931   | 959   | 1,012 | 1,075 | 1,143 | 1,217 | 1,299 | 1,387 |
| CLDW302115 | 6     | 1,106 | 1,141 | 1,215 | 1,295 | 1,386 | 1,485 | 1,594 | 1,712 |
| CLDW302124 | 9     | 1,302 | 1,350 | 1,443 | 1,548 | 1,661 | 1,789 | 1,927 | 2,080 |
| CLDW311215 | 4     | 1,019 | 1,051 | 1,116 | 1,188 | 1,266 | 1,353 | 1,449 | 1,553 |
| CLDW311224 | 6     | 1,019 | 1,051 | 1,116 | 1,188 | 1,266 | 1,353 | 1,449 | 1,553 |
| CLDW311515 | 5     | 1,019 | 1,051 | 1,116 | 1,188 | 1,266 | 1,353 | 1,449 | 1,553 |
| CLDW311524 | 7     | 1,019 | 1,051 | 1,116 | 1,188 | 1,266 | 1,353 | 1,449 | 1,553 |
| CLDW311815 | 5     | 1,019 | 1,051 | 1,116 | 1,188 | 1,266 | 1,353 | 1,449 | 1,553 |
| CLDW311824 | 8     | 1,019 | 1,051 | 1,116 | 1,188 | 1,266 | 1,353 | 1,449 | 1,553 |
| CLDW312115 | 6     | 1,302 | 1,350 | 1,443 | 1,548 | 1,661 | 1,789 | 1,927 | 2,080 |
| CLDW312124 | 10    | 1,302 | 1,350 | 1,443 | 1,548 | 1,661 | 1,789 | 1,927 | 2,080 |

In keeping with our continuous refinement policy, Nations Cabinetry reserves the right to change design, specifications, materials and prices without notice or obligation to make similar changes in products previously produced.

Single door cabinets require hinging - default is Left

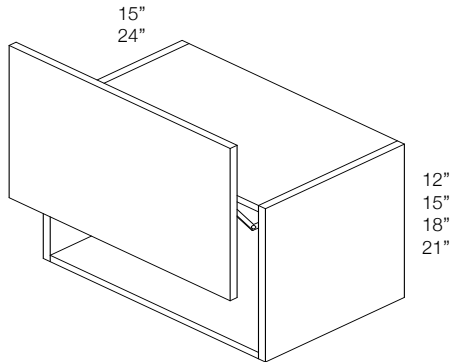
## Closet Pull and Lift Door Wall Cabinets

### OPTIONS

| AF | FAS | MTD | NBK | NBS | NODR |
|----|-----|-----|-----|-----|------|
|----|-----|-----|-----|-----|------|

NOTES:

- All lift mechanisms are based upon door weight and may require adjustment after final installation
- No Shelf



|             | CUBES | 1     | 2     | 3     | 4     | 5     | 6     | 7     | 8     |
|-------------|-------|-------|-------|-------|-------|-------|-------|-------|-------|
| CPLDW181215 | 2     | 1,688 | 1,711 | 1,756 | 1,810 | 1,867 | 1,927 | 1,995 | 2,070 |
| CPLDW181224 | 3     | 1,688 | 1,711 | 1,756 | 1,810 | 1,867 | 1,927 | 1,995 | 2,070 |
| CPLDW181515 | 3     | 1,714 | 1,737 | 1,785 | 1,837 | 1,896 | 1,961 | 2,032 | 2,110 |
| CPLDW181524 | 4     | 1,714 | 1,737 | 1,785 | 1,837 | 1,896 | 1,961 | 2,032 | 2,110 |
| CPLDW181815 | 3     | 1,808 | 1,834 | 1,888 | 1,947 | 2,013 | 2,085 | 2,164 | 2,250 |
| CPLDW181824 | 5     | 1,808 | 1,834 | 1,888 | 1,947 | 2,013 | 2,085 | 2,164 | 2,250 |
| CPLDW182115 | 4     | 1,803 | 1,830 | 1,886 | 1,947 | 2,014 | 2,089 | 2,170 | 2,260 |
| CPLDW182124 | 6     | 1,803 | 1,830 | 1,886 | 1,947 | 2,014 | 2,089 | 2,170 | 2,260 |
| CPLDW191215 | 3     | 1,724 | 1,749 | 1,797 | 1,855 | 1,915 | 1,981 | 2,057 | 2,138 |
| CPLDW191224 | 4     | 1,724 | 1,749 | 1,797 | 1,855 | 1,915 | 1,981 | 2,057 | 2,138 |
| CPLDW191515 | 3     | 1,760 | 1,786 | 1,840 | 1,899 | 1,962 | 2,034 | 2,113 | 2,198 |
| CPLDW191524 | 5     | 1,760 | 1,786 | 1,840 | 1,899 | 1,962 | 2,034 | 2,113 | 2,198 |
| CPLDW191815 | 4     | 1,823 | 1,850 | 1,904 | 1,967 | 2,034 | 2,110 | 2,190 | 2,280 |
| CPLDW191824 | 5     | 1,823 | 1,850 | 1,904 | 1,967 | 2,034 | 2,110 | 2,190 | 2,280 |
| CPLDW192115 | 4     | 1,858 | 1,886 | 1,947 | 2,014 | 2,089 | 2,170 | 2,260 | 2,359 |
| CPLDW192124 | 6     | 1,858 | 1,886 | 1,947 | 2,014 | 2,089 | 2,170 | 2,260 | 2,359 |
| CPLDW241215 | 3     | 1,724 | 1,749 | 1,797 | 1,855 | 1,915 | 1,981 | 2,057 | 2,138 |
| CPLDW241224 | 4     | 1,724 | 1,749 | 1,797 | 1,855 | 1,915 | 1,981 | 2,057 | 2,138 |
| CPLDW241515 | 4     | 1,760 | 1,786 | 1,840 | 1,899 | 1,962 | 2,034 | 2,113 | 2,198 |
| CPLDW241524 | 5     | 1,760 | 1,786 | 1,840 | 1,899 | 1,962 | 2,034 | 2,113 | 2,198 |
| CPLDW241815 | 4     | 1,823 | 1,850 | 1,904 | 1,967 | 2,034 | 2,110 | 2,190 | 2,280 |
| CPLDW241824 | 6     | 1,823 | 1,850 | 1,904 | 1,967 | 2,034 | 2,110 | 2,190 | 2,280 |
| CPLDW242115 | 5     | 1,858 | 1,886 | 1,947 | 2,014 | 2,089 | 2,170 | 2,260 | 2,359 |
| CPLDW242124 | 7     | 1,858 | 1,886 | 1,947 | 2,014 | 2,089 | 2,170 | 2,260 | 2,359 |

|             | CUBES | 1     | 2     | 3     | 4     | 5     | 6     | 7     | 8     |
|-------------|-------|-------|-------|-------|-------|-------|-------|-------|-------|
| CPLDW251215 | 3     | 1,796 | 1,822 | 1,881 | 1,943 | 2,014 | 2,091 | 2,176 | 2,269 |
| CPLDW251224 | 5     | 1,796 | 1,822 | 1,881 | 1,943 | 2,014 | 2,091 | 2,176 | 2,269 |
| CPLDW251515 | 4     | 1,819 | 1,848 | 1,908 | 1,973 | 2,044 | 2,124 | 2,210 | 2,308 |
| CPLDW251524 | 6     | 1,819 | 1,848 | 1,908 | 1,973 | 2,044 | 2,124 | 2,210 | 2,308 |
| CPLDW251815 | 4     | 1,900 | 1,932 | 1,995 | 2,066 | 2,143 | 2,228 | 2,322 | 2,426 |
| CPLDW251824 | 7     | 1,900 | 1,932 | 1,995 | 2,066 | 2,143 | 2,228 | 2,322 | 2,426 |
| CPLDW252115 | 5     | 1,962 | 1,998 | 2,070 | 2,150 | 2,237 | 2,334 | 2,440 | 2,555 |
| CPLDW252124 | 8     | 1,962 | 1,998 | 2,070 | 2,150 | 2,237 | 2,334 | 2,440 | 2,555 |
| CPLDW301215 | 4     | 1,796 | 1,822 | 1,881 | 1,943 | 2,014 | 2,091 | 2,176 | 2,269 |
| CPLDW301224 | 5     | 1,796 | 1,822 | 1,881 | 1,943 | 2,014 | 2,091 | 2,176 | 2,269 |
| CPLDW301515 | 4     | 1,819 | 1,848 | 1,908 | 1,973 | 2,044 | 2,124 | 2,210 | 2,308 |
| CPLDW301524 | 7     | 1,819 | 1,848 | 1,908 | 1,973 | 2,044 | 2,124 | 2,210 | 2,308 |
| CPLDW301815 | 5     | 1,900 | 1,932 | 1,995 | 2,066 | 2,143 | 2,228 | 2,322 | 2,426 |
| CPLDW301824 | 8     | 1,900 | 1,932 | 1,995 | 2,066 | 2,143 | 2,228 | 2,322 | 2,426 |
| CPLDW302115 | 6     | 1,962 | 1,998 | 2,070 | 2,150 | 2,237 | 2,334 | 2,440 | 2,555 |
| CPLDW302124 | 9     | 1,962 | 1,998 | 2,070 | 2,150 | 2,237 | 2,334 | 2,440 | 2,555 |
| CPLDW311215 | 4     | 1,827 | 1,856 | 1,919 | 1,985 | 2,061 | 2,142 | 2,231 | 2,331 |
| CPLDW311224 | 6     | 1,827 | 1,856 | 1,919 | 1,985 | 2,061 | 2,142 | 2,231 | 2,331 |
| CPLDW311515 | 5     | 1,873 | 1,904 | 1,969 | 2,040 | 2,119 | 2,207 | 2,301 | 2,405 |
| CPLDW311524 | 7     | 1,873 | 1,904 | 1,969 | 2,040 | 2,119 | 2,207 | 2,301 | 2,405 |
| CPLDW311815 | 5     | 1,998 | 2,032 | 2,106 | 2,188 | 2,279 | 2,378 | 2,486 | 2,603 |
| CPLDW311824 | 8     | 1,998 | 2,032 | 2,106 | 2,188 | 2,279 | 2,378 | 2,486 | 2,603 |
| CPLDW312115 | 6     | 2,085 | 2,125 | 2,210 | 2,305 | 2,407 | 2,522 | 2,645 | 2,783 |
| CPLDW312124 | 10    | 2,085 | 2,125 | 2,210 | 2,305 | 2,407 | 2,522 | 2,645 | 2,783 |

In keeping with our continuous refinement policy, Nations Cabinetry reserves the right to change design, specifications, materials and prices without notice or obligation to make similar changes in products previously produced.

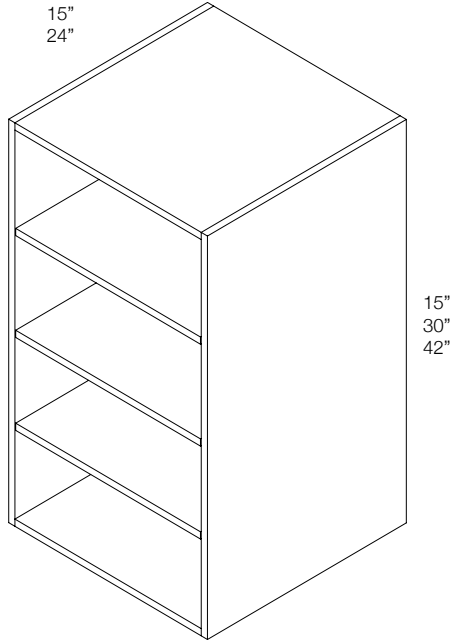
## Closet Open Wall Cabinets

### OPTIONS

|           |            |            |            |            |             |
|-----------|------------|------------|------------|------------|-------------|
| <i>AF</i> | <i>FAS</i> | <i>MTD</i> | <i>NBK</i> | <i>NBS</i> | <i>NODR</i> |
|-----------|------------|------------|------------|------------|-------------|

### NOTES:

- 15" comes with no shelf
- 30" comes with 2 shelves
- 42" comes with 3 shelves



|           | CUBES | 1     | 2     | 3     | 4     | 5     | 6     | 7     | 8     |
|-----------|-------|-------|-------|-------|-------|-------|-------|-------|-------|
| COW151515 | 2     | 547   | 566   | 607   | 651   | 698   | 753   | 811   | 875   |
| COW151524 | 4     | 547   | 566   | 607   | 651   | 698   | 753   | 811   | 875   |
| COW153015 | 4     | 631   | 652   | 700   | 755   | 814   | 879   | 949   | 1,026 |
| COW153024 | 7     | 631   | 652   | 700   | 755   | 814   | 879   | 949   | 1,026 |
| COW154215 | 6     | 861   | 894   | 968   | 1,047 | 1,136 | 1,233 | 1,341 | 1,458 |
| COW154224 | 9     | 861   | 894   | 968   | 1,047 | 1,136 | 1,233 | 1,341 | 1,458 |
| COW181515 | 3     | 567   | 587   | 631   | 676   | 726   | 783   | 844   | 913   |
| COW181524 | 4     | 567   | 587   | 631   | 676   | 726   | 783   | 844   | 913   |
| COW183015 | 5     | 678   | 706   | 758   | 818   | 883   | 955   | 1,034 | 1,122 |
| COW183024 | 8     | 678   | 706   | 758   | 818   | 883   | 955   | 1,034 | 1,122 |
| COW184215 | 7     | 919   | 959   | 1,037 | 1,124 | 1,219 | 1,325 | 1,443 | 1,569 |
| COW184224 | 11    | 919   | 959   | 1,037 | 1,124 | 1,219 | 1,325 | 1,443 | 1,569 |
| COW191515 | 3     | 588   | 611   | 653   | 704   | 758   | 817   | 882   | 953   |
| COW191524 | 5     | 588   | 611   | 653   | 704   | 758   | 817   | 882   | 953   |
| COW193015 | 6     | 697   | 723   | 779   | 842   | 908   | 984   | 1,064 | 1,154 |
| COW193024 | 9     | 697   | 723   | 779   | 842   | 908   | 984   | 1,064 | 1,154 |
| COW194215 | 8     | 1,005 | 1,047 | 1,136 | 1,233 | 1,339 | 1,458 | 1,586 | 1,727 |
| COW194224 | 12    | 1,005 | 1,047 | 1,136 | 1,233 | 1,339 | 1,458 | 1,586 | 1,727 |
| COW241515 | 4     | 608   | 632   | 677   | 729   | 784   | 847   | 915   | 990   |
| COW241524 | 5     | 608   | 632   | 677   | 729   | 784   | 847   | 915   | 990   |
| COW243015 | 7     | 763   | 794   | 855   | 925   | 1,000 | 1,085 | 1,177 | 1,278 |
| COW243024 | 10    | 763   | 794   | 855   | 925   | 1,000 | 1,085 | 1,177 | 1,278 |
| COW244215 | 9     | 1,060 | 1,106 | 1,201 | 1,304 | 1,417 | 1,542 | 1,680 | 1,831 |
| COW244224 | 14    | 1,060 | 1,106 | 1,201 | 1,304 | 1,417 | 1,542 | 1,680 | 1,831 |

|           | CUBES | 1     | 2     | 3     | 4     | 5     | 6     | 7     | 8     |
|-----------|-------|-------|-------|-------|-------|-------|-------|-------|-------|
| COW251515 | 4     | 652   | 677   | 729   | 784   | 847   | 915   | 990   | 1,072 |
| COW251524 | 6     | 652   | 677   | 729   | 784   | 847   | 915   | 990   | 1,072 |
| COW253015 | 7     | 859   | 893   | 965   | 1,046 | 1,132 | 1,230 | 1,337 | 1,455 |
| COW253024 | 11    | 859   | 893   | 965   | 1,046 | 1,132 | 1,230 | 1,337 | 1,455 |
| COW254215 | 10    | 1,273 | 1,328 | 1,444 | 1,572 | 1,712 | 1,868 | 2,037 | 2,224 |
| COW254224 | 15    | 1,273 | 1,328 | 1,444 | 1,572 | 1,712 | 1,868 | 2,037 | 2,224 |
| COW301515 | 4     | 659   | 684   | 737   | 794   | 855   | 925   | 1,000 | 1,085 |
| COW301524 | 7     | 659   | 684   | 737   | 794   | 855   | 925   | 1,000 | 1,085 |
| COW303015 | 8     | 894   | 929   | 1,005 | 1,090 | 1,182 | 1,285 | 1,396 | 1,520 |
| COW303024 | 13    | 894   | 929   | 1,005 | 1,090 | 1,182 | 1,285 | 1,396 | 1,520 |
| COW304215 | 11    | 1,288 | 1,344 | 1,461 | 1,592 | 1,736 | 1,889 | 2,064 | 2,255 |
| COW304224 | 18    | 1,288 | 1,344 | 1,461 | 1,592 | 1,736 | 1,889 | 2,064 | 2,255 |
| COW311515 | 5     | 676   | 700   | 755   | 814   | 879   | 949   | 1,026 | 1,112 |
| COW311524 | 7     | 676   | 700   | 755   | 814   | 879   | 949   | 1,026 | 1,112 |
| COW313015 | 9     | 1,014 | 1,057 | 1,147 | 1,243 | 1,352 | 1,470 | 1,601 | 1,746 |
| COW313024 | 14    | 1,014 | 1,057 | 1,147 | 1,243 | 1,352 | 1,470 | 1,601 | 1,746 |
| COW314215 | 12    | 1,400 | 1,463 | 1,592 | 1,736 | 1,893 | 2,064 | 2,255 | 2,463 |
| COW314224 | 19    | 1,400 | 1,463 | 1,592 | 1,736 | 1,893 | 2,064 | 2,255 | 2,463 |

Single door cabinets require hinging - default is Left

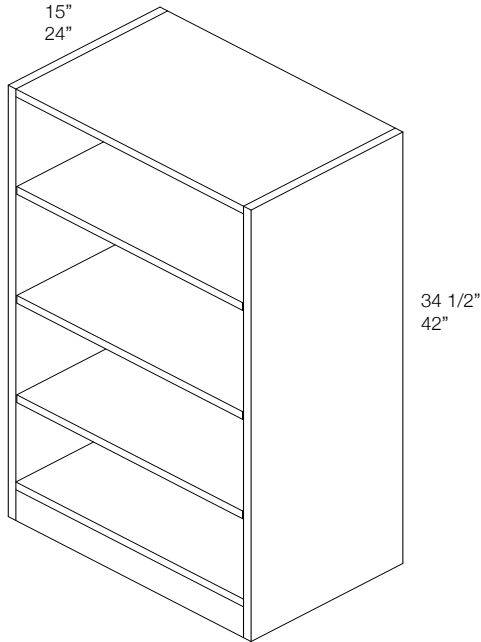
## Closet Open Base Cabinets

### OPTIONS

|           |            |            |            |            |             |
|-----------|------------|------------|------------|------------|-------------|
| <i>AF</i> | <i>FAS</i> | <i>MTD</i> | <i>NBK</i> | <i>NBS</i> | <i>NODR</i> |
|-----------|------------|------------|------------|------------|-------------|

NOTES:

- 34 1/2" comes with 2 shelves
- 42" comes with 3 shelves



Closetree

|           | CUBES | 1   | 2   | 3     | 4     | 5     | 6     | 7     | 8     |
|-----------|-------|-----|-----|-------|-------|-------|-------|-------|-------|
| COB153415 | 5     | 605 | 627 | 673   | 723   | 779   | 841   | 908   | 981   |
| COB153424 | 8     | 611 | 633 | 678   | 729   | 784   | 846   | 914   | 987   |
| COB154215 | 6     | 615 | 638 | 684   | 733   | 790   | 851   | 919   | 992   |
| COB154224 | 9     | 621 | 644 | 689   | 738   | 795   | 856   | 925   | 998   |
| COB183415 | 6     | 640 | 664 | 716   | 769   | 830   | 895   | 967   | 1,049 |
| COB183424 | 9     | 646 | 670 | 720   | 774   | 835   | 901   | 973   | 1,053 |
| COB184215 | 7     | 651 | 674 | 725   | 779   | 841   | 906   | 978   | 1,059 |
| COB184224 | 11    | 657 | 680 | 731   | 784   | 846   | 912   | 984   | 1,064 |
| COB193415 | 6     | 702 | 729 | 783   | 842   | 908   | 980   | 1,059 | 1,147 |
| COB193424 | 10    | 704 | 730 | 784   | 843   | 910   | 981   | 1,060 | 1,148 |
| COB194215 | 8     | 705 | 731 | 785   | 844   | 912   | 984   | 1,062 | 1,149 |
| COB194224 | 12    | 706 | 732 | 787   | 846   | 913   | 985   | 1,063 | 1,150 |
| COB243415 | 8     | 710 | 737 | 795   | 856   | 926   | 1,001 | 1,085 | 1,177 |
| COB243424 | 12    | 716 | 743 | 801   | 862   | 931   | 1,007 | 1,090 | 1,182 |
| COB244215 | 9     | 720 | 748 | 805   | 867   | 936   | 1,012 | 1,096 | 1,188 |
| COB244224 | 14    | 725 | 753 | 810   | 872   | 941   | 1,017 | 1,101 | 1,193 |
| COB253415 | 8     | 922 | 959 | 1,034 | 1,119 | 1,213 | 1,313 | 1,425 | 1,549 |
| COB253424 | 13    | 923 | 960 | 1,036 | 1,121 | 1,214 | 1,314 | 1,426 | 1,550 |
| COB254215 | 10    | 925 | 961 | 1,037 | 1,122 | 1,215 | 1,315 | 1,428 | 1,553 |
| COB254224 | 15    | 926 | 962 | 1,038 | 1,123 | 1,216 | 1,317 | 1,429 | 1,554 |
| COB303415 | 9     | 925 | 962 | 1,040 | 1,129 | 1,223 | 1,330 | 1,445 | 1,573 |
| COB303424 | 15    | 929 | 967 | 1,046 | 1,134 | 1,229 | 1,335 | 1,450 | 1,579 |
| COB304215 | 11    | 935 | 973 | 1,051 | 1,138 | 1,234 | 1,340 | 1,456 | 1,583 |
| COB304224 | 18    | 940 | 978 | 1,057 | 1,144 | 1,240 | 1,346 | 1,461 | 1,589 |

|           | CUBES | 1   | 2     | 3     | 4     | 5     | 6     | 7     | 8     |
|-----------|-------|-----|-------|-------|-------|-------|-------|-------|-------|
| COB313415 | 10    | 985 | 1,024 | 1,106 | 1,197 | 1,298 | 1,409 | 1,529 | 1,661 |
| COB313424 | 15    | 986 | 1,025 | 1,108 | 1,199 | 1,299 | 1,410 | 1,530 | 1,662 |
| COB314215 | 12    | 987 | 1,026 | 1,109 | 1,201 | 1,300 | 1,411 | 1,531 | 1,664 |
| COB314224 | 19    | 988 | 1,027 | 1,110 | 1,202 | 1,301 | 1,412 | 1,533 | 1,665 |

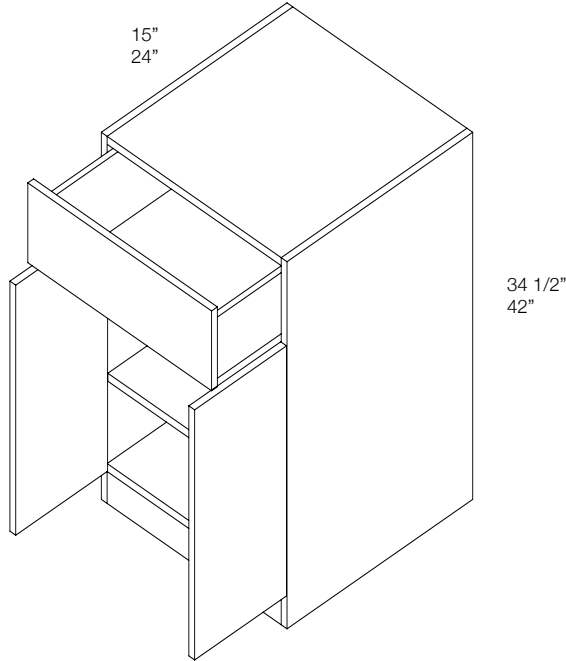
In keeping with our continuous refinement policy, Nations Cabinetry reserves the right to change design, specifications, materials and prices without notice or obligation to make similar changes in products previously produced.

## Closet Base Cabinets

| OPTIONS |     |     |     |     |      |
|---------|-----|-----|-----|-----|------|
| AF      | FAS | MTD | NBK | NBS | NODR |

NOTES:

- 34 1/2" comes with 1 shelves
- 42" comes with 2 shelves



|          | CUBES | 1     | 2     | 3     | 4     | 5     | 6     | 7     | 8     |
|----------|-------|-------|-------|-------|-------|-------|-------|-------|-------|
| CB153415 | 5     | 955   | 985   | 1,049 | 1,118 | 1,195 | 1,280 | 1,373 | 1,475 |
| CB153424 | 8     | 955   | 985   | 1,049 | 1,118 | 1,195 | 1,280 | 1,373 | 1,475 |
| CB154215 | 6     | 955   | 985   | 1,049 | 1,118 | 1,195 | 1,280 | 1,373 | 1,475 |
| CB154224 | 9     | 955   | 985   | 1,049 | 1,118 | 1,195 | 1,280 | 1,373 | 1,475 |
| CB183415 | 6     | 999   | 1,032 | 1,099 | 1,174 | 1,258 | 1,348 | 1,449 | 1,557 |
| CB183424 | 9     | 999   | 1,032 | 1,099 | 1,174 | 1,258 | 1,348 | 1,449 | 1,557 |
| CB184215 | 7     | 999   | 1,032 | 1,099 | 1,174 | 1,258 | 1,348 | 1,449 | 1,557 |
| CB184224 | 11    | 999   | 1,032 | 1,099 | 1,174 | 1,258 | 1,348 | 1,449 | 1,557 |
| CB193415 | 6     | 1,050 | 1,086 | 1,160 | 1,241 | 1,330 | 1,428 | 1,536 | 1,654 |
| CB193424 | 10    | 1,050 | 1,086 | 1,160 | 1,241 | 1,330 | 1,428 | 1,536 | 1,654 |
| CB194215 | 8     | 1,050 | 1,086 | 1,160 | 1,241 | 1,330 | 1,428 | 1,536 | 1,654 |
| CB194224 | 12    | 1,050 | 1,086 | 1,160 | 1,241 | 1,330 | 1,428 | 1,536 | 1,654 |
| CB243415 | 8     | 1,222 | 1,266 | 1,359 | 1,458 | 1,569 | 1,691 | 1,825 | 1,973 |
| CB243424 | 12    | 1,222 | 1,266 | 1,359 | 1,458 | 1,569 | 1,691 | 1,825 | 1,973 |
| CB244215 | 9     | 1,222 | 1,266 | 1,359 | 1,458 | 1,569 | 1,691 | 1,825 | 1,973 |
| CB244224 | 14    | 1,222 | 1,266 | 1,359 | 1,458 | 1,569 | 1,691 | 1,825 | 1,973 |
| CB253415 | 8     | 1,317 | 1,365 | 1,468 | 1,580 | 1,701 | 1,837 | 1,985 | 2,150 |
| CB253424 | 13    | 1,317 | 1,365 | 1,468 | 1,580 | 1,701 | 1,837 | 1,985 | 2,150 |
| CB254215 | 10    | 1,317 | 1,365 | 1,468 | 1,580 | 1,701 | 1,837 | 1,985 | 2,150 |
| CB254224 | 15    | 1,317 | 1,365 | 1,468 | 1,580 | 1,701 | 1,837 | 1,985 | 2,150 |
| CB303415 | 9     | 1,458 | 1,513 | 1,631 | 1,758 | 1,899 | 2,053 | 2,226 | 2,413 |
| CB303424 | 15    | 1,458 | 1,513 | 1,631 | 1,758 | 1,899 | 2,053 | 2,226 | 2,413 |
| CB304215 | 11    | 1,458 | 1,513 | 1,631 | 1,758 | 1,899 | 2,053 | 2,226 | 2,413 |
| CB304224 | 18    | 1,458 | 1,513 | 1,631 | 1,758 | 1,899 | 2,053 | 2,226 | 2,413 |

|          | CUBES | 1     | 2     | 3     | 4     | 5     | 6     | 7     | 8     |
|----------|-------|-------|-------|-------|-------|-------|-------|-------|-------|
| CB313415 | 10    | 1,531 | 1,592 | 1,716 | 1,851 | 2,001 | 2,167 | 2,351 | 2,549 |
| CB313424 | 15    | 1,531 | 1,592 | 1,716 | 1,851 | 2,001 | 2,167 | 2,351 | 2,549 |
| CB314215 | 12    | 1,531 | 1,592 | 1,716 | 1,851 | 2,001 | 2,167 | 2,351 | 2,549 |
| CB314224 | 19    | 1,531 | 1,592 | 1,716 | 1,851 | 2,001 | 2,167 | 2,351 | 2,549 |

Single door cabinets require hinging - default is Left

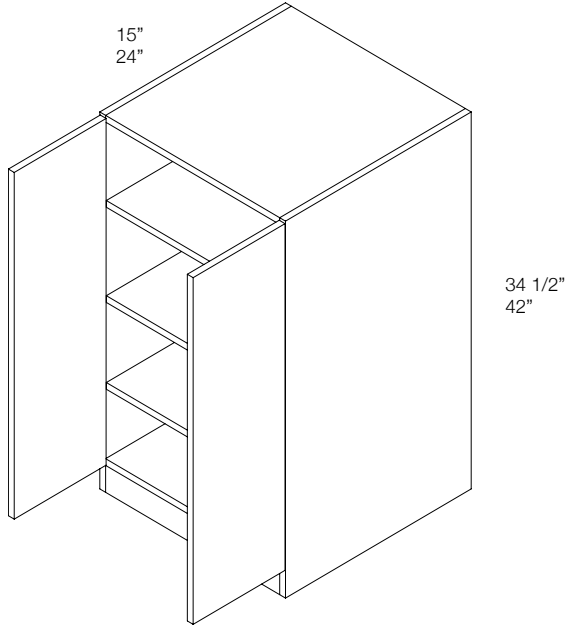
## Closet Base All Door Cabinets

### OPTIONS

|           |            |            |            |            |             |
|-----------|------------|------------|------------|------------|-------------|
| <i>AF</i> | <i>FAS</i> | <i>MTD</i> | <i>NBK</i> | <i>NBS</i> | <i>NODR</i> |
|-----------|------------|------------|------------|------------|-------------|

### NOTES:

- 34 1/2" comes with 2 shelves
- 42" comes with 3 shelves



|            | CUBES | 1     | 2     | 3     | 4     | 5     | 6     | 7     | 8     |
|------------|-------|-------|-------|-------|-------|-------|-------|-------|-------|
| CBAD153415 | 5     | 685   | 711   | 765   | 825   | 892   | 964   | 1,045 | 1,131 |
| CBAD153424 | 8     | 685   | 711   | 765   | 825   | 892   | 964   | 1,045 | 1,131 |
| CBAD154215 | 6     | 698   | 724   | 779   | 842   | 908   | 985   | 1,065 | 1,155 |
| CBAD154224 | 9     | 698   | 724   | 779   | 842   | 908   | 985   | 1,065 | 1,155 |
| CBAD183415 | 6     | 725   | 753   | 814   | 877   | 949   | 1,027 | 1,112 | 1,207 |
| CBAD183424 | 9     | 725   | 753   | 814   | 877   | 949   | 1,027 | 1,112 | 1,207 |
| CBAD184215 | 7     | 756   | 785   | 846   | 915   | 990   | 1,073 | 1,162 | 1,265 |
| CBAD184224 | 11    | 756   | 785   | 846   | 915   | 990   | 1,073 | 1,162 | 1,265 |
| CBAD193415 | 6     | 775   | 807   | 870   | 940   | 1,019 | 1,104 | 1,197 | 1,301 |
| CBAD193424 | 10    | 775   | 807   | 870   | 940   | 1,019 | 1,104 | 1,197 | 1,301 |
| CBAD194215 | 8     | 1,130 | 1,178 | 1,280 | 1,391 | 1,513 | 1,649 | 1,797 | 1,959 |
| CBAD194224 | 12    | 1,130 | 1,178 | 1,280 | 1,391 | 1,513 | 1,649 | 1,797 | 1,959 |
| CBAD243415 | 8     | 807   | 838   | 906   | 979   | 1,062 | 1,150 | 1,250 | 1,358 |
| CBAD243424 | 12    | 807   | 838   | 906   | 979   | 1,062 | 1,150 | 1,250 | 1,358 |
| CBAD244215 | 9     | 853   | 887   | 959   | 1,037 | 1,124 | 1,221 | 1,327 | 1,443 |
| CBAD244224 | 14    | 853   | 887   | 959   | 1,037 | 1,124 | 1,221 | 1,327 | 1,443 |
| CBAD253415 | 8     | 1,029 | 1,071 | 1,161 | 1,262 | 1,372 | 1,491 | 1,625 | 1,771 |
| CBAD253424 | 13    | 1,029 | 1,071 | 1,161 | 1,262 | 1,372 | 1,491 | 1,625 | 1,771 |
| CBAD254215 | 10    | 1,436 | 1,501 | 1,633 | 1,782 | 1,941 | 2,119 | 2,313 | 2,529 |
| CBAD254224 | 15    | 1,436 | 1,501 | 1,633 | 1,782 | 1,941 | 2,119 | 2,313 | 2,529 |
| CBAD303415 | 9     | 1,058 | 1,102 | 1,195 | 1,300 | 1,411 | 1,537 | 1,674 | 1,824 |
| CBAD303424 | 15    | 1,058 | 1,102 | 1,195 | 1,300 | 1,411 | 1,537 | 1,674 | 1,824 |
| CBAD304215 | 11    | 1,003 | 1,044 | 1,130 | 1,228 | 1,332 | 1,450 | 1,579 | 1,719 |
| CBAD304224 | 18    | 1,003 | 1,044 | 1,130 | 1,228 | 1,332 | 1,450 | 1,579 | 1,719 |

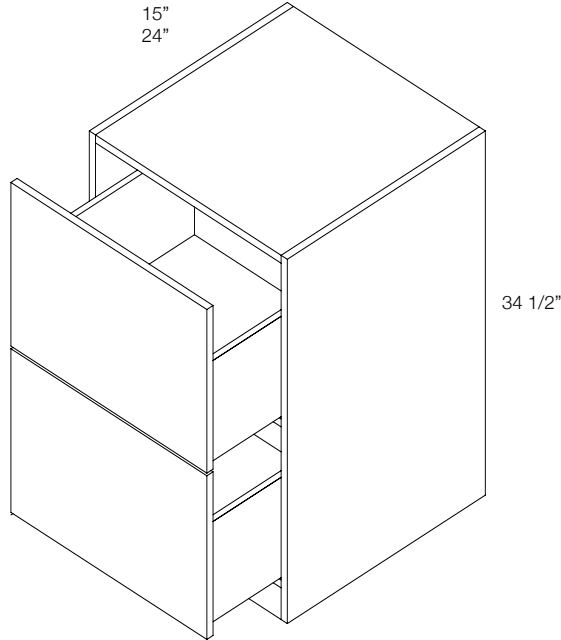
|            | CUBES | 1     | 2     | 3     | 4     | 5     | 6     | 7     | 8     |
|------------|-------|-------|-------|-------|-------|-------|-------|-------|-------|
| CBAD313415 | 10    | 1,097 | 1,143 | 1,240 | 1,348 | 1,465 | 1,596 | 1,739 | 1,896 |
| CBAD313424 | 15    | 1,097 | 1,143 | 1,240 | 1,348 | 1,465 | 1,596 | 1,739 | 1,896 |
| CBAD314215 | 12    | 1,583 | 1,655 | 1,803 | 1,967 | 2,148 | 2,345 | 2,563 | 2,803 |
| CBAD314224 | 19    | 1,583 | 1,655 | 1,803 | 1,967 | 2,148 | 2,345 | 2,563 | 2,803 |

In keeping with our continuous refinement policy, Nations Cabinetry reserves the right to change design, specifications, materials and prices without notice or obligation to make similar changes in products previously produced.

## Closet 2 Drawer Base Cabinets

| OPTIONS |     |     |     |     |      |
|---------|-----|-----|-----|-----|------|
| AF      | FAS | MTD | NBK | NBS | NODR |

NOTES:



Closetree

|            | CUBES | 1     | 2     | 3     | 4     | 5     | 6     | 7     | 8     |
|------------|-------|-------|-------|-------|-------|-------|-------|-------|-------|
| C2DB153415 | 5     | 1,351 | 1,390 | 1,471 | 1,562 | 1,664 | 1,772 | 1,894 | 2,026 |
| C2DB153424 | 8     | 1,356 | 1,396 | 1,476 | 1,568 | 1,668 | 1,777 | 1,899 | 2,031 |
| C2DB183415 | 6     | 1,420 | 1,463 | 1,553 | 1,652 | 1,759 | 1,880 | 2,010 | 2,155 |
| C2DB183424 | 9     | 1,425 | 1,469 | 1,557 | 1,657 | 1,764 | 1,884 | 2,015 | 2,161 |
| C2DB193415 | 6     | 1,549 | 1,600 | 1,701 | 1,812 | 1,936 | 2,074 | 2,223 | 2,387 |
| C2DB193424 | 10    | 1,550 | 1,601 | 1,703 | 1,814 | 1,939 | 2,076 | 2,224 | 2,388 |
| C2DB243415 | 8     | 1,601 | 1,653 | 1,760 | 1,881 | 2,012 | 2,155 | 2,313 | 2,489 |
| C2DB243424 | 12    | 1,606 | 1,658 | 1,765 | 1,886 | 2,017 | 2,161 | 2,319 | 2,494 |
| C2DB253415 | 8     | 1,666 | 1,721 | 1,835 | 1,961 | 2,099 | 2,250 | 2,418 | 2,601 |
| C2DB253424 | 13    | 1,667 | 1,723 | 1,836 | 1,962 | 2,100 | 2,252 | 2,419 | 2,602 |
| C2DB303415 | 9     | 1,714 | 1,772 | 1,891 | 2,025 | 2,170 | 2,329 | 2,505 | 2,698 |
| C2DB303424 | 15    | 1,719 | 1,777 | 1,896 | 2,030 | 2,175 | 2,334 | 2,511 | 2,704 |
| C2DB313415 | 10    | 1,784 | 1,844 | 1,971 | 2,111 | 2,262 | 2,431 | 2,615 | 2,818 |
| C2DB313424 | 15    | 1,785 | 1,845 | 1,972 | 2,112 | 2,263 | 2,432 | 2,616 | 2,819 |

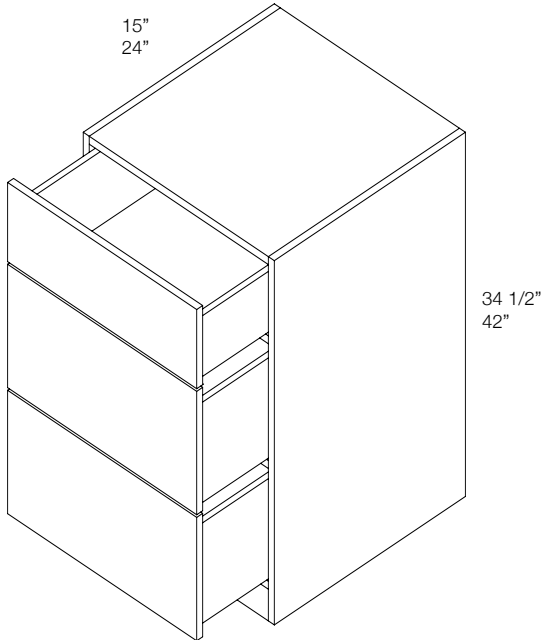
Single door cabinets require hinging - default is Left

## Closet 3 Drawer Base Cabinets

### OPTIONS

|           |            |            |            |            |             |
|-----------|------------|------------|------------|------------|-------------|
| <i>AF</i> | <i>FAS</i> | <i>MTD</i> | <i>NBK</i> | <i>NBS</i> | <i>NODR</i> |
|-----------|------------|------------|------------|------------|-------------|

NOTES:



•

Closetree

|            | CUBES | 1     | 2     | 3     | 4     | 5     | 6     | 7     | 8     |
|------------|-------|-------|-------|-------|-------|-------|-------|-------|-------|
| C3DB153415 | 5     | 1,526 | 1,566 | 1,645 | 1,733 | 1,830 | 1,936 | 2,053 | 2,182 |
| C3DB153424 | 8     | 1,526 | 1,566 | 1,645 | 1,733 | 1,830 | 1,936 | 2,053 | 2,182 |
| C3DB154215 | 6     | 1,526 | 1,566 | 1,645 | 1,733 | 1,830 | 1,936 | 2,053 | 2,182 |
| C3DB154224 | 9     | 1,526 | 1,566 | 1,645 | 1,733 | 1,830 | 1,936 | 2,053 | 2,182 |
| C3DB183415 | 6     | 1,593 | 1,633 | 1,721 | 1,815 | 1,921 | 2,037 | 2,164 | 2,303 |
| C3DB183424 | 9     | 1,593 | 1,633 | 1,721 | 1,815 | 1,921 | 2,037 | 2,164 | 2,303 |
| C3DB184215 | 7     | 1,593 | 1,633 | 1,721 | 1,815 | 1,921 | 2,037 | 2,164 | 2,303 |
| C3DB184224 | 11    | 1,593 | 1,633 | 1,721 | 1,815 | 1,921 | 2,037 | 2,164 | 2,303 |
| C3DB193415 | 6     | 1,633 | 1,677 | 1,766 | 1,868 | 1,978 | 2,098 | 2,231 | 2,379 |
| C3DB193424 | 10    | 1,633 | 1,677 | 1,766 | 1,868 | 1,978 | 2,098 | 2,231 | 2,379 |
| C3DB194215 | 8     | 1,633 | 1,677 | 1,766 | 1,868 | 1,978 | 2,098 | 2,231 | 2,379 |
| C3DB194224 | 12    | 1,633 | 1,677 | 1,766 | 1,868 | 1,978 | 2,098 | 2,231 | 2,379 |
| C3DB243415 | 8     | 1,797 | 1,849 | 1,956 | 2,077 | 2,208 | 2,352 | 2,511 | 2,685 |
| C3DB243424 | 12    | 1,797 | 1,849 | 1,956 | 2,077 | 2,208 | 2,352 | 2,511 | 2,685 |
| C3DB244215 | 9     | 1,797 | 1,849 | 1,956 | 2,077 | 2,208 | 2,352 | 2,511 | 2,685 |
| C3DB244224 | 14    | 1,797 | 1,849 | 1,956 | 2,077 | 2,208 | 2,352 | 2,511 | 2,685 |
| C3DB253415 | 8     | 2,111 | 2,177 | 2,318 | 2,473 | 2,645 | 2,831 | 3,038 | 3,266 |
| C3DB253424 | 13    | 2,111 | 2,177 | 2,318 | 2,473 | 2,645 | 2,831 | 3,038 | 3,266 |
| C3DB254215 | 10    | 2,111 | 2,177 | 2,318 | 2,473 | 2,645 | 2,831 | 3,038 | 3,266 |
| C3DB254224 | 15    | 2,111 | 2,177 | 2,318 | 2,473 | 2,645 | 2,831 | 3,038 | 3,266 |
| C3DB303415 | 9     | 2,150 | 2,218 | 2,365 | 2,524 | 2,699 | 2,891 | 3,105 | 3,338 |
| C3DB303424 | 15    | 2,150 | 2,218 | 2,365 | 2,524 | 2,699 | 2,891 | 3,105 | 3,338 |
| C3DB304215 | 11    | 2,150 | 2,218 | 2,365 | 2,524 | 2,699 | 2,891 | 3,105 | 3,338 |
| C3DB304224 | 18    | 2,150 | 2,218 | 2,365 | 2,524 | 2,699 | 2,891 | 3,105 | 3,338 |

|            | CUBES | 1     | 2     | 3     | 4     | 5     | 6     | 7     | 8     |
|------------|-------|-------|-------|-------|-------|-------|-------|-------|-------|
| C3DB313415 | 10    | 2,177 | 2,247 | 2,396 | 2,558 | 2,739 | 2,935 | 3,151 | 3,390 |
| C3DB313424 | 15    | 2,177 | 2,247 | 2,396 | 2,558 | 2,739 | 2,935 | 3,151 | 3,390 |
| C3DB314215 | 12    | 2,177 | 2,247 | 2,396 | 2,558 | 2,739 | 2,935 | 3,151 | 3,390 |
| C3DB314224 | 19    | 2,177 | 2,247 | 2,396 | 2,558 | 2,739 | 2,935 | 3,151 | 3,390 |

In keeping with our continuous refinement policy, Nations Cabinetry reserves the right to change design, specifications, materials and prices without notice or obligation to make similar changes in products previously produced.

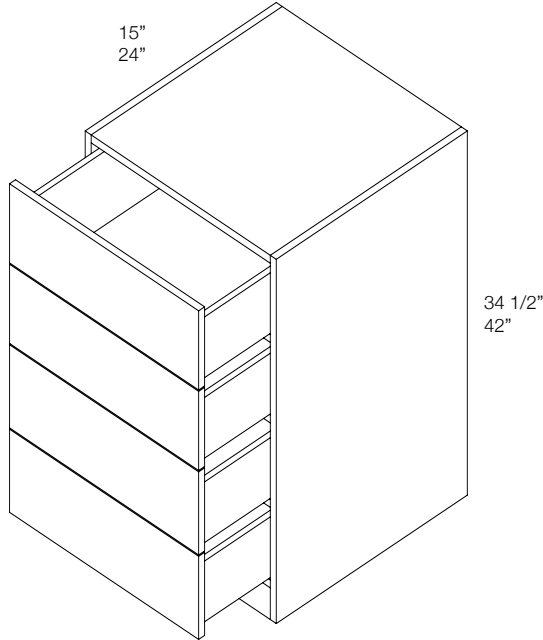


## Closet 4 Drawer Base Cabinets

### OPTIONS

|    |     |     |     |     |      |
|----|-----|-----|-----|-----|------|
| AF | FAS | MTD | NBK | NBS | NODR |
|----|-----|-----|-----|-----|------|

NOTES:



Closetree

|            | CUBES | 1     | 2     | 3     | 4     | 5     | 6     | 7     | 8     |
|------------|-------|-------|-------|-------|-------|-------|-------|-------|-------|
| C4DB153415 | 5     | 1,816 | 1,861 | 1,952 | 2,051 | 2,162 | 2,282 | 2,416 | 2,563 |
| C4DB153424 | 8     | 1,816 | 1,861 | 1,952 | 2,051 | 2,162 | 2,282 | 2,416 | 2,563 |
| C4DB154215 | 6     | 2,239 | 2,303 | 2,439 | 2,587 | 2,752 | 2,930 | 3,130 | 3,348 |
| C4DB154224 | 9     | 2,239 | 2,303 | 2,439 | 2,587 | 2,752 | 2,930 | 3,130 | 3,348 |
| C4DB183415 | 6     | 1,876 | 1,922 | 2,020 | 2,126 | 2,246 | 2,375 | 2,516 | 2,673 |
| C4DB183424 | 9     | 1,876 | 1,922 | 2,020 | 2,126 | 2,246 | 2,375 | 2,516 | 2,673 |
| C4DB184215 | 7     | 2,282 | 2,348 | 2,488 | 2,642 | 2,812 | 2,998 | 3,203 | 3,427 |
| C4DB184224 | 11    | 2,282 | 2,348 | 2,488 | 2,642 | 2,812 | 2,998 | 3,203 | 3,427 |
| C4DB193415 | 6     | 1,920 | 1,967 | 2,069 | 2,182 | 2,306 | 2,440 | 2,590 | 2,754 |
| C4DB193424 | 10    | 1,920 | 1,967 | 2,069 | 2,182 | 2,306 | 2,440 | 2,590 | 2,754 |
| C4DB194215 | 8     | 2,335 | 2,405 | 2,551 | 2,711 | 2,887 | 3,081 | 3,293 | 3,529 |
| C4DB194224 | 12    | 2,335 | 2,405 | 2,551 | 2,711 | 2,887 | 3,081 | 3,293 | 3,529 |
| C4DB243415 | 8     | 1,980 | 2,032 | 2,139 | 2,260 | 2,391 | 2,535 | 2,694 | 2,868 |
| C4DB243424 | 12    | 1,980 | 2,032 | 2,139 | 2,260 | 2,391 | 2,535 | 2,694 | 2,868 |
| C4DB244215 | 9     | 2,405 | 2,478 | 2,630 | 2,799 | 2,985 | 3,188 | 3,412 | 3,659 |
| C4DB244224 | 14    | 2,405 | 2,478 | 2,630 | 2,799 | 2,985 | 3,188 | 3,412 | 3,659 |
| C4DB253415 | 8     | 2,180 | 2,242 | 2,371 | 2,514 | 2,669 | 2,842 | 3,031 | 3,240 |
| C4DB253424 | 13    | 2,180 | 2,242 | 2,371 | 2,514 | 2,669 | 2,842 | 3,031 | 3,240 |
| C4DB254215 | 10    | 2,640 | 2,725 | 2,903 | 3,099 | 3,314 | 3,550 | 3,810 | 4,097 |
| C4DB254224 | 15    | 2,640 | 2,725 | 2,903 | 3,099 | 3,314 | 3,550 | 3,810 | 4,097 |
| C4DB303415 | 9     | 2,207 | 2,268 | 2,400 | 2,545 | 2,706 | 2,881 | 3,073 | 3,286 |
| C4DB303424 | 15    | 2,207 | 2,268 | 2,400 | 2,545 | 2,706 | 2,881 | 3,073 | 3,286 |
| C4DB304215 | 11    | 2,671 | 2,757 | 2,937 | 3,135 | 3,354 | 3,594 | 3,859 | 4,151 |
| C4DB304224 | 18    | 2,671 | 2,757 | 2,937 | 3,135 | 3,354 | 3,594 | 3,859 | 4,151 |

|            | CUBES | 1     | 2     | 3     | 4     | 5     | 6     | 7     | 8     |
|------------|-------|-------|-------|-------|-------|-------|-------|-------|-------|
| C4DB313415 | 10    | 2,207 | 2,268 | 2,400 | 2,545 | 2,706 | 2,881 | 3,073 | 3,286 |
| C4DB313424 | 15    | 2,207 | 2,268 | 2,400 | 2,545 | 2,706 | 2,881 | 3,073 | 3,286 |
| C4DB314215 | 12    | 2,671 | 2,757 | 2,937 | 3,135 | 3,354 | 3,594 | 3,859 | 4,151 |
| C4DB314224 | 19    | 2,671 | 2,757 | 2,937 | 3,135 | 3,354 | 3,594 | 3,859 | 4,151 |

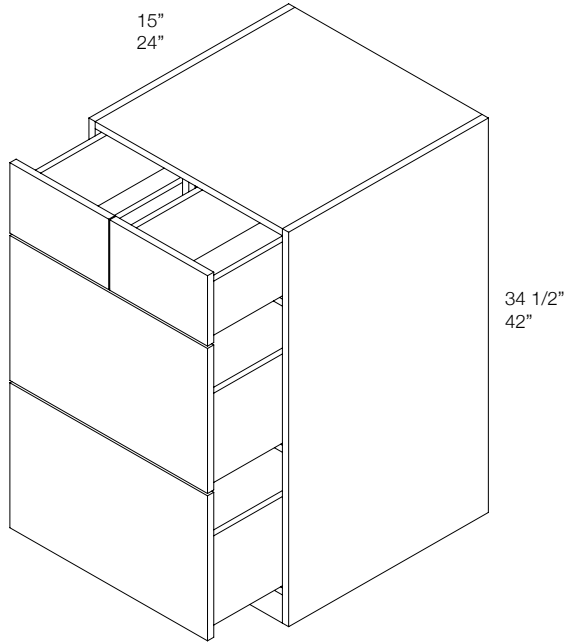
Single door cabinets require hinging - default is Left

## Closet Split Top 3 Drawer Base Cabinets

### OPTIONS

|           |            |            |            |            |             |
|-----------|------------|------------|------------|------------|-------------|
| <i>AF</i> | <i>FAS</i> | <i>MTD</i> | <i>NBK</i> | <i>NBS</i> | <i>NODR</i> |
|-----------|------------|------------|------------|------------|-------------|

NOTES:



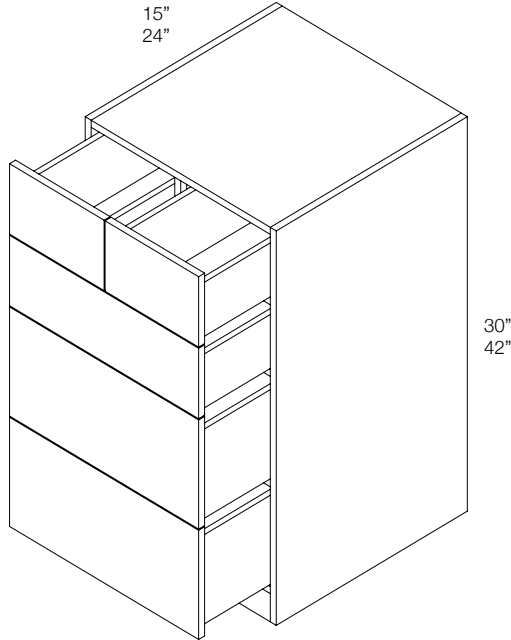
•

|              | CUBES | 1     | 2     | 3     | 4     | 5     | 6     | 7     | 8     |
|--------------|-------|-------|-------|-------|-------|-------|-------|-------|-------|
| CST3DB243415 | 8     | 1,929 | 1,981 | 2,089 | 2,209 | 2,340 | 2,484 | 2,643 | 2,817 |
| CST3DB243424 | 12    | 1,929 | 1,981 | 2,089 | 2,209 | 2,340 | 2,484 | 2,643 | 2,817 |
| CST3DB244215 | 9     | 2,354 | 2,427 | 2,579 | 2,747 | 2,934 | 3,136 | 3,361 | 3,607 |
| CST3DB244224 | 14    | 2,354 | 2,427 | 2,579 | 2,747 | 2,934 | 3,136 | 3,361 | 3,607 |
| CST3DB253415 | 8     | 2,243 | 2,309 | 2,450 | 2,606 | 2,777 | 2,963 | 3,170 | 3,398 |
| CST3DB253424 | 13    | 2,243 | 2,309 | 2,450 | 2,606 | 2,777 | 2,963 | 3,170 | 3,398 |
| CST3DB254215 | 10    | 2,589 | 2,674 | 2,852 | 3,048 | 3,263 | 3,498 | 3,759 | 4,045 |
| CST3DB254224 | 15    | 2,589 | 2,674 | 2,852 | 3,048 | 3,263 | 3,498 | 3,759 | 4,045 |
| CST3DB303415 | 9     | 2,282 | 2,351 | 2,497 | 2,656 | 2,831 | 3,024 | 3,237 | 3,470 |
| CST3DB303424 | 15    | 2,282 | 2,351 | 2,497 | 2,656 | 2,831 | 3,024 | 3,237 | 3,470 |
| CST3DB304215 | 11    | 2,620 | 2,706 | 2,887 | 3,084 | 3,303 | 3,543 | 3,809 | 4,100 |
| CST3DB304224 | 18    | 2,620 | 2,706 | 2,887 | 3,084 | 3,303 | 3,543 | 3,809 | 4,100 |
| CST3DB313415 | 10    | 2,309 | 2,379 | 2,528 | 2,691 | 2,870 | 3,067 | 3,282 | 3,522 |
| CST3DB313424 | 15    | 2,309 | 2,379 | 2,528 | 2,691 | 2,870 | 3,067 | 3,282 | 3,522 |
| CST3DB314215 | 12    | 2,642 | 2,730 | 2,911 | 3,112 | 3,335 | 3,578 | 3,845 | 4,140 |
| CST3DB314224 | 19    | 2,642 | 2,730 | 2,911 | 3,112 | 3,335 | 3,578 | 3,845 | 4,140 |

## Closet Split Top 4 Drawer Base Cabinets

| OPTIONS |     |     |     |     |      |
|---------|-----|-----|-----|-----|------|
| AF      | FAS | MTD | NBK | NBS | NODR |

NOTES:



Closetree

|              | CUBES | 1     | 2     | 3     | 4     | 5     | 6     | 7     | 8     |
|--------------|-------|-------|-------|-------|-------|-------|-------|-------|-------|
| CST4DB243415 | 8     | 2,112 | 2,164 | 2,272 | 2,392 | 2,523 | 2,667 | 2,826 | 3,000 |
| CST4DB243424 | 12    | 2,112 | 2,164 | 2,272 | 2,392 | 2,523 | 2,667 | 2,826 | 3,000 |
| CST4DB244215 | 9     | 2,537 | 2,610 | 2,763 | 2,930 | 3,117 | 3,320 | 3,544 | 3,790 |
| CST4DB244224 | 14    | 2,537 | 2,610 | 2,763 | 2,930 | 3,117 | 3,320 | 3,544 | 3,790 |
| CST4DB253415 | 8     | 2,426 | 2,492 | 2,633 | 2,789 | 2,960 | 3,146 | 3,353 | 3,581 |
| CST4DB253424 | 13    | 2,426 | 2,492 | 2,633 | 2,789 | 2,960 | 3,146 | 3,353 | 3,581 |
| CST4DB254215 | 10    | 2,772 | 2,857 | 3,035 | 3,231 | 3,446 | 3,681 | 3,942 | 4,229 |
| CST4DB254224 | 15    | 2,772 | 2,857 | 3,035 | 3,231 | 3,446 | 3,681 | 3,942 | 4,229 |
| CST4DB303415 | 9     | 2,465 | 2,534 | 2,680 | 2,839 | 3,014 | 3,207 | 3,420 | 3,653 |
| CST4DB303424 | 15    | 2,465 | 2,534 | 2,680 | 2,839 | 3,014 | 3,207 | 3,420 | 3,653 |
| CST4DB304215 | 11    | 2,803 | 2,889 | 3,070 | 3,267 | 3,486 | 3,726 | 3,992 | 4,283 |
| CST4DB304224 | 18    | 2,803 | 2,889 | 3,070 | 3,267 | 3,486 | 3,726 | 3,992 | 4,283 |
| CST4DB313415 | 10    | 2,492 | 2,562 | 2,711 | 2,874 | 3,054 | 3,250 | 3,466 | 3,705 |
| CST4DB313424 | 15    | 2,492 | 2,562 | 2,711 | 2,874 | 3,054 | 3,250 | 3,466 | 3,705 |
| CST4DB314215 | 12    | 2,825 | 2,913 | 3,094 | 3,296 | 3,518 | 3,761 | 4,028 | 4,323 |
| CST4DB314224 | 19    | 2,825 | 2,913 | 3,094 | 3,296 | 3,518 | 3,761 | 4,028 | 4,323 |

Single door cabinets require hinging - default is Left

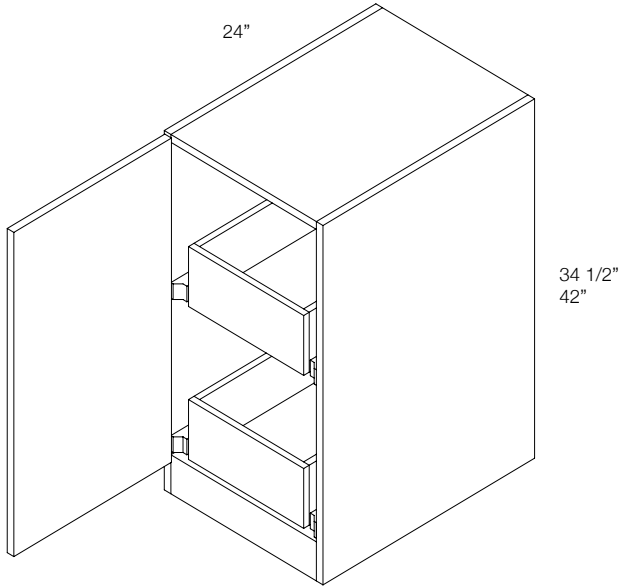
## Closet All Door Roll Out Base Cabinets

### OPTIONS

|           |            |            |            |            |             |
|-----------|------------|------------|------------|------------|-------------|
| <i>AF</i> | <i>FAS</i> | <i>MTD</i> | <i>NBK</i> | <i>NBS</i> | <i>NODR</i> |
|-----------|------------|------------|------------|------------|-------------|

NOTES:

- 

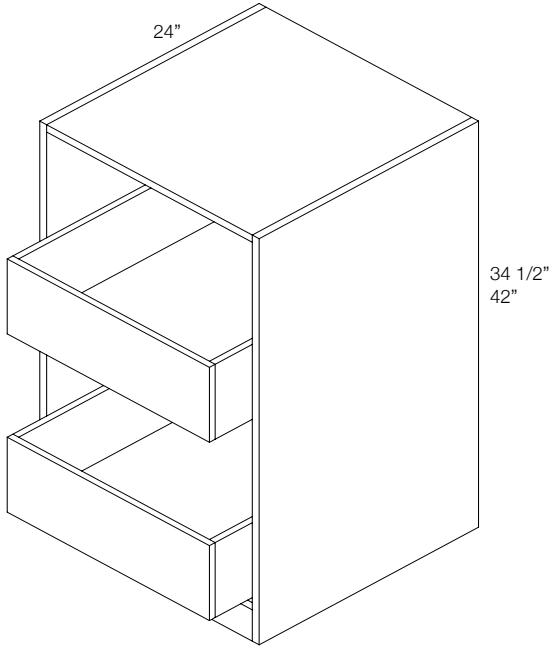


|              | CUBES | 1     | 2     | 3     | 4     | 5     | 6     | 7     | 8     |
|--------------|-------|-------|-------|-------|-------|-------|-------|-------|-------|
| CROBAD153424 | 8     | 1,544 | 1,595 | 1,703 | 1,821 | 1,947 | 2,091 | 2,246 | 2,417 |
| CROBAD154224 | 9     | 1,544 | 1,595 | 1,703 | 1,821 | 1,947 | 2,091 | 2,246 | 2,417 |
| CROBAD183424 | 9     | 1,585 | 1,639 | 1,749 | 1,871 | 2,006 | 2,151 | 2,313 | 2,491 |
| CROBAD184224 | 11    | 1,585 | 1,639 | 1,749 | 1,871 | 2,006 | 2,151 | 2,313 | 2,491 |
| CROBAD193424 | 10    | 1,496 | 1,543 | 1,645 | 1,755 | 1,877 | 2,013 | 2,161 | 2,324 |
| CROBAD194224 | 12    | 1,496 | 1,543 | 1,645 | 1,755 | 1,877 | 2,013 | 2,161 | 2,324 |
| CROBAD243424 | 12    | 1,822 | 1,887 | 2,020 | 2,171 | 2,333 | 2,514 | 2,712 | 2,930 |
| CROBAD244224 | 14    | 1,822 | 1,887 | 2,020 | 2,171 | 2,333 | 2,514 | 2,712 | 2,930 |
| CROBAD253424 | 13    | 2,383 | 2,475 | 2,671 | 2,882 | 3,119 | 3,378 | 3,662 | 3,975 |
| CROBAD254224 | 15    | 2,383 | 2,475 | 2,671 | 2,882 | 3,119 | 3,378 | 3,662 | 3,975 |
| CROBAD303424 | 15    | 2,412 | 2,505 | 2,704 | 2,921 | 3,158 | 3,421 | 3,711 | 4,029 |
| CROBAD304224 | 18    | 2,412 | 2,505 | 2,704 | 2,921 | 3,158 | 3,421 | 3,711 | 4,029 |
| CROBAD313424 | 15    | 2,451 | 2,547 | 2,749 | 2,970 | 3,214 | 3,482 | 3,776 | 4,100 |
| CROBAD314224 | 19    | 2,451 | 2,547 | 2,749 | 2,970 | 3,214 | 3,482 | 3,776 | 4,100 |

## Closet Open Roll Out Base Cabinets

| OPTIONS |     |     |     |     |      |
|---------|-----|-----|-----|-----|------|
| AF      | FAS | MTD | NBK | NBS | NODR |

NOTES:



Closetree

|             | CUBES | 1     | 2     | 3     | 4     | 5     | 6     | 7     | 8     |
|-------------|-------|-------|-------|-------|-------|-------|-------|-------|-------|
| COROB153424 | 8     | 1,544 | 1,595 | 1,703 | 1,821 | 1,947 | 2,091 | 2,246 | 2,417 |
| COROB154224 | 9     | 1,544 | 1,595 | 1,703 | 1,821 | 1,947 | 2,091 | 2,246 | 2,417 |
| COROB183424 | 9     | 1,585 | 1,639 | 1,749 | 1,871 | 2,006 | 2,151 | 2,313 | 2,491 |
| COROB184224 | 11    | 1,585 | 1,639 | 1,749 | 1,871 | 2,006 | 2,151 | 2,313 | 2,491 |
| COROB193424 | 10    | 1,496 | 1,543 | 1,645 | 1,755 | 1,877 | 2,013 | 2,161 | 2,324 |
| COROB194224 | 12    | 1,496 | 1,543 | 1,645 | 1,755 | 1,877 | 2,013 | 2,161 | 2,324 |
| COROB243424 | 12    | 1,822 | 1,887 | 2,020 | 2,171 | 2,333 | 2,514 | 2,712 | 2,930 |
| COROB244224 | 14    | 1,822 | 1,887 | 2,020 | 2,171 | 2,333 | 2,514 | 2,712 | 2,930 |
| COROB253424 | 13    | 2,383 | 2,475 | 2,671 | 2,882 | 3,119 | 3,378 | 3,662 | 3,975 |
| COROB254224 | 15    | 2,383 | 2,475 | 2,671 | 2,882 | 3,119 | 3,378 | 3,662 | 3,975 |
| COROB303424 | 15    | 2,412 | 2,505 | 2,704 | 2,921 | 3,158 | 3,421 | 3,711 | 4,029 |
| COROB304224 | 18    | 2,412 | 2,505 | 2,704 | 2,921 | 3,158 | 3,421 | 3,711 | 4,029 |
| COROB313424 | 15    | 2,451 | 2,547 | 2,749 | 2,970 | 3,214 | 3,482 | 3,776 | 4,100 |
| COROB314224 | 19    | 2,451 | 2,547 | 2,749 | 2,970 | 3,214 | 3,482 | 3,776 | 4,100 |

Single door cabinets require hinging - default is Left

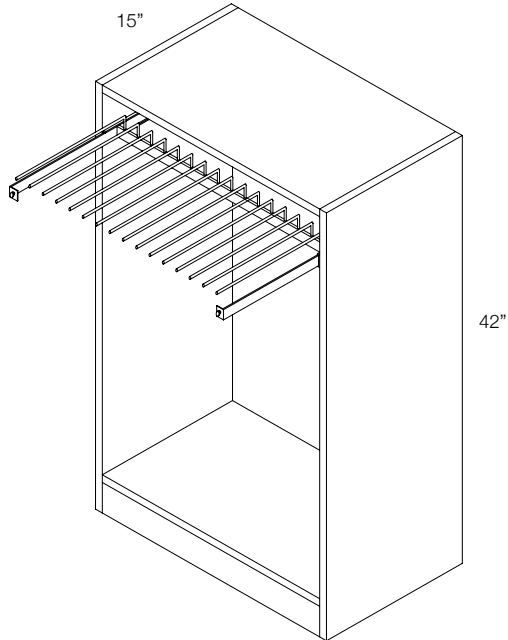
## Closet Pant Rack Base Cabinets

### OPTIONS

|           |            |            |            |            |             |
|-----------|------------|------------|------------|------------|-------------|
| <i>AF</i> | <i>FAS</i> | <i>MTD</i> | <i>NBK</i> | <i>NBS</i> | <i>NODR</i> |
|-----------|------------|------------|------------|------------|-------------|

#### NOTES:

- No shelf
- Heavy gauge chrome frame pant rack
- Chrome pant rack comes with distinctive moveable fingers for easy access
- Full-extension slides on pant rack



|            | CUBES | 1     | 2     | 3     | 4     | 5     | 6     | 7     | 8     |
|------------|-------|-------|-------|-------|-------|-------|-------|-------|-------|
| CPRB254215 | 10    | 1,620 | 1,677 | 1,791 | 1,921 | 2,060 | 2,215 | 2,385 | 2,573 |
| CPRB314215 | 12    | 1,792 | 1,855 | 1,982 | 2,126 | 2,283 | 2,455 | 2,646 | 2,854 |

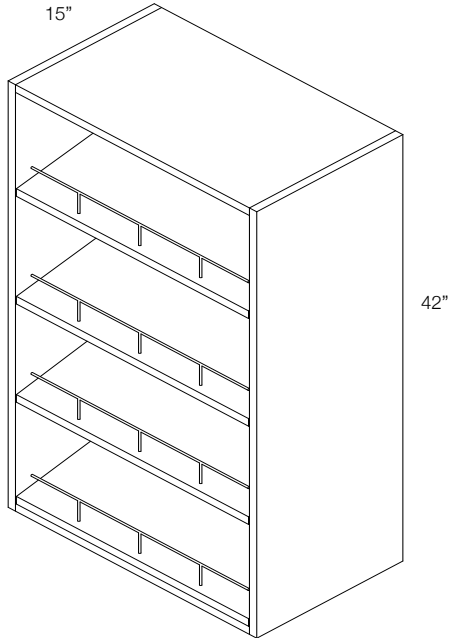
## Closet Shoe Rack Wall Cabinets

### OPTIONS

|           |            |            |            |            |             |
|-----------|------------|------------|------------|------------|-------------|
| <i>AF</i> | <i>FAS</i> | <i>MTD</i> | <i>NBK</i> | <i>NBS</i> | <i>NODR</i> |
|-----------|------------|------------|------------|------------|-------------|

NOTES:

- Heavy gauge wire shoe rack



Closetree

|            | CUBES | 1     | 2     | 3     | 4     | 5     | 6     | 7     | 8     |
|------------|-------|-------|-------|-------|-------|-------|-------|-------|-------|
| CSRW194215 | 8     | 1,024 | 1,067 | 1,155 | 1,252 | 1,358 | 1,476 | 1,605 | 1,746 |
| CSRW254215 | 10    | 1,293 | 1,350 | 1,464 | 1,593 | 1,733 | 1,888 | 2,057 | 2,244 |
| CSRW314215 | 12    | 1,425 | 1,487 | 1,615 | 1,759 | 1,916 | 2,087 | 2,279 | 2,486 |

Single door cabinets require hinging - default is Left

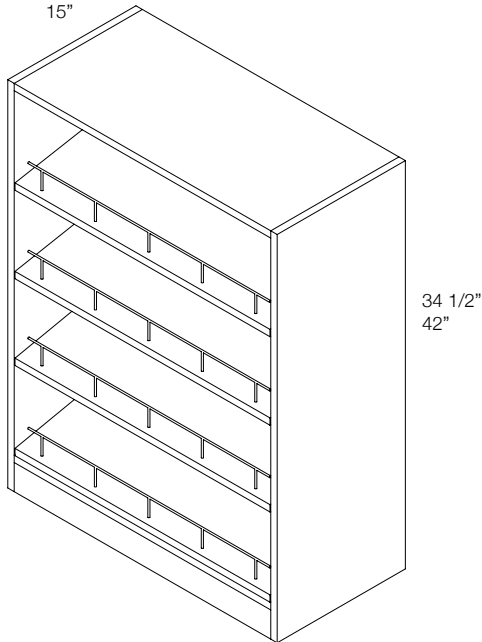
## Closet Shoe Rack Base Cabinets

### OPTIONS

|           |            |            |            |            |             |
|-----------|------------|------------|------------|------------|-------------|
| <i>AF</i> | <i>FAS</i> | <i>MTD</i> | <i>NBK</i> | <i>NBS</i> | <i>NODR</i> |
|-----------|------------|------------|------------|------------|-------------|

NOTES:

- Heavy gauge wire shoe rack



|            | CUBES | 1     | 2     | 3     | 4     | 5     | 6     | 7     | 8     |
|------------|-------|-------|-------|-------|-------|-------|-------|-------|-------|
| CSRB193415 | 6     | 700   | 725   | 781   | 840   | 906   | 978   | 1,057 | 1,144 |
| CSRB194215 | 8     | 1,024 | 1,067 | 1,155 | 1,252 | 1,358 | 1,476 | 1,605 | 1,746 |
| CSRB253415 | 8     | 916   | 953   | 1,029 | 1,114 | 1,207 | 1,307 | 1,420 | 1,544 |
| CSRB254215 | 10    | 1,293 | 1,350 | 1,464 | 1,593 | 1,733 | 1,888 | 2,057 | 2,244 |
| CSRB313415 | 10    | 977   | 1,016 | 1,098 | 1,190 | 1,289 | 1,400 | 1,521 | 1,653 |
| CSRB314215 | 12    | 1,425 | 1,487 | 1,615 | 1,759 | 1,916 | 2,087 | 2,279 | 2,486 |



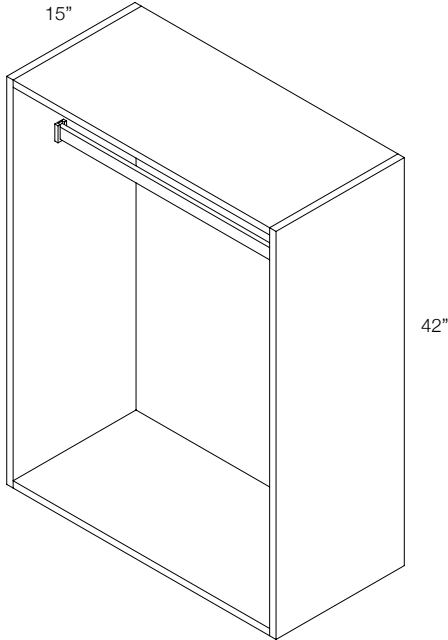
## Closet Hanging Rod Wall Cabinets

### OPTIONS

|           |            |            |            |            |             |
|-----------|------------|------------|------------|------------|-------------|
| <i>AF</i> | <i>FAS</i> | <i>MTD</i> | <i>NBK</i> | <i>NBS</i> | <i>NODR</i> |
|-----------|------------|------------|------------|------------|-------------|

NOTES:

- No Shelf



Closetree

|            | CUBES | 1     | 2     | 3     | 4     | 5     | 6     | 7     | 8     |
|------------|-------|-------|-------|-------|-------|-------|-------|-------|-------|
| CHRW254215 | 10    | 1,380 | 1,437 | 1,553 | 1,680 | 1,821 | 1,976 | 2,145 | 2,333 |
| CHRW314215 | 12    | 1,509 | 1,572 | 1,700 | 1,844 | 2,001 | 2,172 | 2,364 | 2,571 |

Single door cabinets require hinging - default is Left

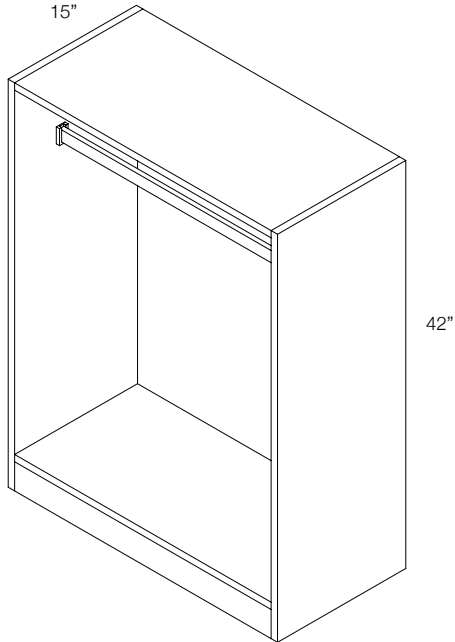
## Closet Hanging Rod Base Cabinets

### OPTIONS

|           |            |            |            |            |             |
|-----------|------------|------------|------------|------------|-------------|
| <i>AF</i> | <i>FAS</i> | <i>MTD</i> | <i>NBK</i> | <i>NBS</i> | <i>NODR</i> |
|-----------|------------|------------|------------|------------|-------------|

NOTES:

- No Shelf



|            | CUBES | 1     | 2     | 3     | 4     | 5     | 6     | 7     | 8     |
|------------|-------|-------|-------|-------|-------|-------|-------|-------|-------|
| CHRB254215 | 10    | 1,380 | 1,437 | 1,553 | 1,680 | 1,821 | 1,976 | 2,145 | 2,333 |
| CHRB314215 | 12    | 1,509 | 1,572 | 1,700 | 1,844 | 2,001 | 2,172 | 2,364 | 2,571 |

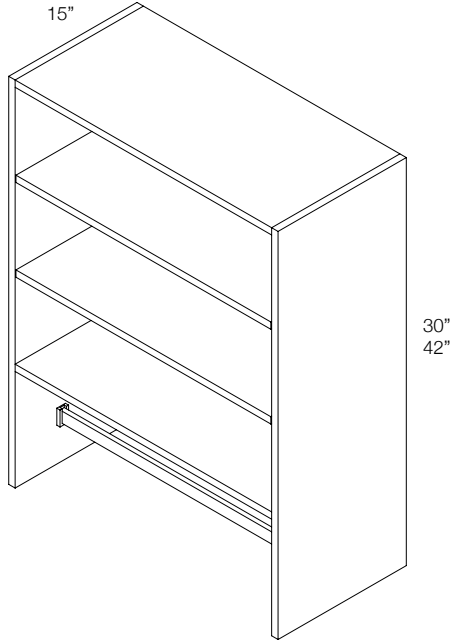
## Closet Hanging Wall Rod Cabinets

### OPTIONS

|           |            |            |            |            |             |
|-----------|------------|------------|------------|------------|-------------|
| <i>AF</i> | <i>FAS</i> | <i>MTD</i> | <i>NBK</i> | <i>NBS</i> | <i>NODR</i> |
|-----------|------------|------------|------------|------------|-------------|

NOTES:

- 



Closetree

|            | CUBES | 1     | 2     | 3     | 4     | 5     | 6     | 7     | 8     |
|------------|-------|-------|-------|-------|-------|-------|-------|-------|-------|
| HWCR253015 | 7     | 1,278 | 1,312 | 1,384 | 1,464 | 1,550 | 1,649 | 1,755 | 1,873 |
| HWCR254215 | 10    | 1,691 | 1,747 | 1,862 | 1,991 | 2,130 | 2,286 | 2,455 | 2,643 |
| HWCR313015 | 9     | 1,433 | 1,475 | 1,566 | 1,662 | 1,771 | 1,888 | 2,019 | 2,164 |
| HWCR314215 | 12    | 1,819 | 1,882 | 2,010 | 2,154 | 2,311 | 2,482 | 2,673 | 2,881 |

Single door cabinets require hinging - default is Left  
 Wall cabinets are 12" deep unless otherwise specified

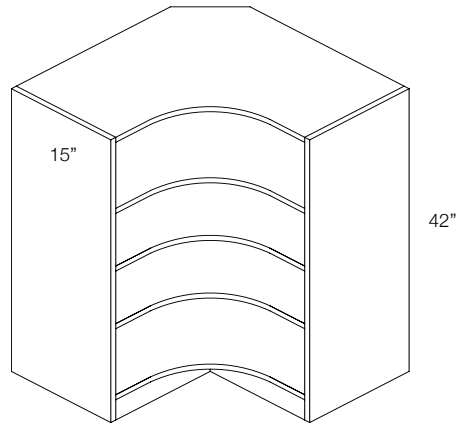
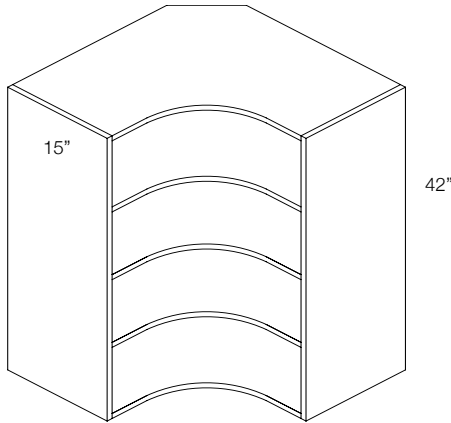
## Closet Open Corner Cabinets

OPTIONS

|           |            |            |            |            |             |
|-----------|------------|------------|------------|------------|-------------|
| <i>AF</i> | <i>FAS</i> | <i>MTD</i> | <i>NBK</i> | <i>NBS</i> | <i>NODR</i> |
|-----------|------------|------------|------------|------------|-------------|

NOTES:

- 



|            | CUBES | 1     | 2     | 3     | 4     | 5     | 6     | 7     | 8     |
|------------|-------|-------|-------|-------|-------|-------|-------|-------|-------|
| WOCC304215 | 11    | 1,431 | 1,495 | 1,627 | 1,773 | 1,934 | 2,111 | 2,306 | 2,521 |
| BOCC304215 | 11    | 1,431 | 1,495 | 1,627 | 1,773 | 1,934 | 2,111 | 2,306 | 2,521 |

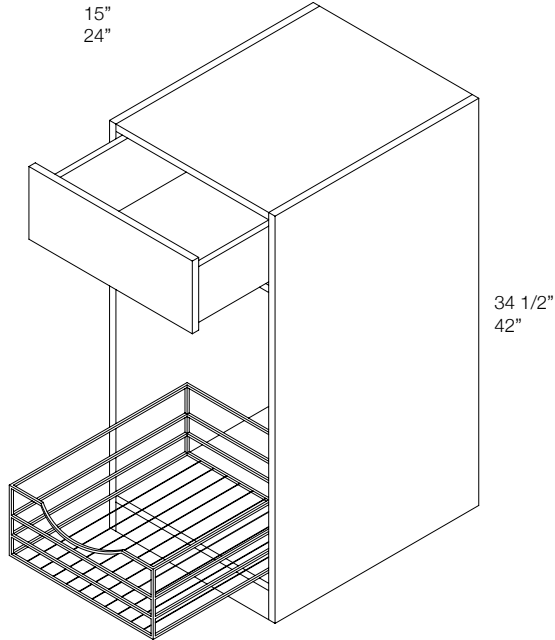
## Open Base Wire Basket w/Drawer Cabinets

### OPTIONS

| AF | FAS | MTD | NBK | NBS | NODR |
|----|-----|-----|-----|-----|------|
|----|-----|-----|-----|-----|------|

### NOTES:

- COBDWBS is small wire basket 7" tall.
- COBDWBM is medium wire basket 11" tall.
- COBDWBL is large wire basket 18" tall.



|               | CUBES | 1     | 2     | 3     | 4     | 5     | 6     | 7     | 8     |
|---------------|-------|-------|-------|-------|-------|-------|-------|-------|-------|
| COBDWBS194215 | 8     | 1,299 | 1,337 | 1,415 | 1,503 | 1,598 | 1,704 | 1,822 | 1,948 |
| COBDWBS254215 | 10    | 1,608 | 1,661 | 1,771 | 1,891 | 2,024 | 2,170 | 2,329 | 2,505 |
| COBDWBS314215 | 12    | 1,871 | 1,935 | 2,069 | 2,215 | 2,377 | 2,555 | 2,752 | 2,966 |
| COBDWBS194224 | 12    | 1,371 | 1,409 | 1,487 | 1,574 | 1,670 | 1,776 | 1,894 | 2,020 |
| COBDWBS254224 | 15    | 1,667 | 1,719 | 1,830 | 1,949 | 2,082 | 2,228 | 2,388 | 2,564 |
| COBDWBS313424 | 15    | 1,350 | 1,400 | 1,505 | 1,620 | 1,747 | 1,887 | 2,041 | 2,210 |
| COBDWBS314224 | 19    | 1,622 | 1,687 | 1,821 | 1,967 | 2,128 | 2,307 | 2,503 | 2,718 |
| COBDWBM194215 | 8     | 1,299 | 1,337 | 1,415 | 1,503 | 1,598 | 1,704 | 1,822 | 1,948 |
| COBDWBM254215 | 10    | 1,632 | 1,685 | 1,795 | 1,915 | 2,046 | 2,194 | 2,353 | 2,529 |
| COBDWBM314215 | 12    | 1,904 | 1,968 | 2,102 | 2,248 | 2,409 | 2,588 | 2,784 | 2,999 |
| COBDWBM194224 | 12    | 1,390 | 1,428 | 1,507 | 1,594 | 1,690 | 1,796 | 1,913 | 2,040 |
| COBDWBM254224 | 15    | 1,693 | 1,746 | 1,856 | 1,976 | 2,109 | 2,255 | 2,414 | 2,590 |
| COBDWBM314224 | 19    | 1,622 | 1,687 | 1,821 | 1,967 | 2,128 | 2,307 | 2,503 | 2,718 |
| COBDWBL194215 | 8     | 1,351 | 1,389 | 1,468 | 1,555 | 1,651 | 1,756 | 1,874 | 2,001 |
| COBDWBL254215 | 10    | 1,673 | 1,725 | 1,835 | 1,955 | 2,087 | 2,234 | 2,393 | 2,570 |
| COBDWBL314215 | 12    | 1,947 | 2,012 | 2,145 | 2,292 | 2,452 | 2,632 | 2,828 | 3,042 |
| COBDWBL194224 | 12    | 1,435 | 1,472 | 1,550 | 1,639 | 1,734 | 1,840 | 1,958 | 2,085 |
| COBDWBL254224 | 15    | 1,730 | 1,783 | 1,893 | 2,013 | 2,145 | 2,292 | 2,451 | 2,627 |
| COBDWBS193415 | 6     | 1,136 | 1,167 | 1,228 | 1,298 | 1,372 | 1,456 | 1,547 | 1,646 |
| COBDWBS253415 | 8     | 1,385 | 1,425 | 1,511 | 1,607 | 1,711 | 1,825 | 1,952 | 2,090 |
| COBDWBS313415 | 10    | 1,598 | 1,649 | 1,753 | 1,869 | 1,995 | 2,136 | 2,289 | 2,458 |

|               | CUBES | 1     | 2     | 3     | 4     | 5     | 6     | 7     | 8     |
|---------------|-------|-------|-------|-------|-------|-------|-------|-------|-------|
| COBDWBS193424 | 10    | 1,208 | 1,239 | 1,300 | 1,370 | 1,444 | 1,528 | 1,619 | 1,718 |
| COBDWBS253424 | 13    | 1,444 | 1,484 | 1,570 | 1,666 | 1,770 | 1,884 | 2,010 | 2,149 |
| COBDWBM193415 | 6     | 1,138 | 1,169 | 1,230 | 1,300 | 1,374 | 1,458 | 1,549 | 1,649 |
| COBDWBM253415 | 8     | 1,409 | 1,449 | 1,535 | 1,631 | 1,734 | 1,849 | 1,974 | 2,113 |
| COBDWBM313415 | 10    | 1,631 | 1,681 | 1,786 | 1,901 | 2,028 | 2,169 | 2,322 | 2,491 |
| COBDWBM193424 | 10    | 1,228 | 1,258 | 1,319 | 1,389 | 1,463 | 1,547 | 1,639 | 1,738 |
| COBDWBM253424 | 13    | 1,470 | 1,510 | 1,596 | 1,692 | 1,796 | 1,910 | 2,037 | 2,175 |
| COBDWBM313415 | 10    | 1,631 | 1,681 | 1,786 | 1,901 | 2,028 | 2,169 | 2,322 | 2,491 |
| COBDWBL193415 | 6     | 1,189 | 1,219 | 1,280 | 1,350 | 1,424 | 1,508 | 1,600 | 1,699 |
| COBDWBL253415 | 8     | 1,449 | 1,489 | 1,576 | 1,671 | 1,775 | 1,889 | 2,015 | 2,154 |
| COBDWBL313415 | 10    | 1,674 | 1,725 | 1,830 | 1,945 | 2,071 | 2,211 | 2,366 | 2,535 |
| COBDWBL193424 | 10    | 1,273 | 1,302 | 1,364 | 1,433 | 1,508 | 1,592 | 1,683 | 1,783 |
| COBDWBL253424 | 13    | 1,507 | 1,547 | 1,633 | 1,729 | 1,832 | 1,947 | 2,073 | 2,211 |

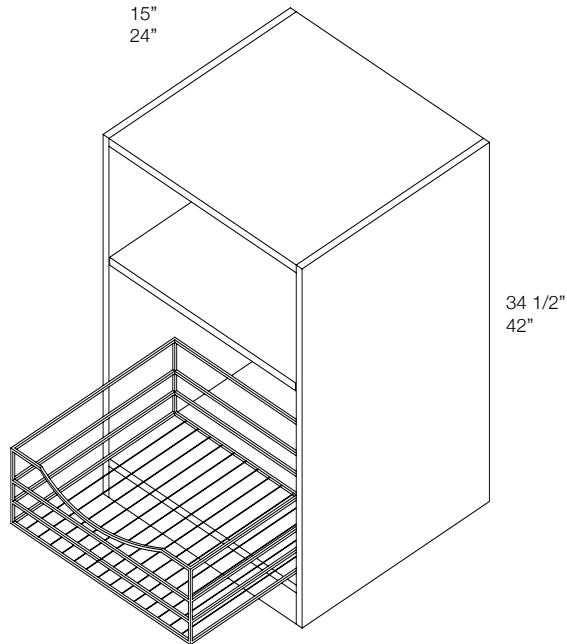
Single door cabinets require hinging - default is Left

## Open Base Wire Basket Cabinets

### OPTIONS

|           |            |            |            |            |             |
|-----------|------------|------------|------------|------------|-------------|
| <i>AF</i> | <i>FAS</i> | <i>MTD</i> | <i>NBK</i> | <i>NBS</i> | <i>NODR</i> |
|-----------|------------|------------|------------|------------|-------------|

NOTES:



|              | CUBES | 1     | 2     | 3     | 4     | 5     | 6     | 7     | 8     |
|--------------|-------|-------|-------|-------|-------|-------|-------|-------|-------|
| COBWBL194215 | 8     | 1,069 | 1,101 | 1,170 | 1,246 | 1,330 | 1,422 | 1,522 | 1,634 |
| COBWBL194224 | 12    | 1,152 | 1,184 | 1,254 | 1,330 | 1,413 | 1,505 | 1,606 | 1,718 |
| COBWBL193415 | 6     | 927   | 953   | 1,008 | 1,067 | 1,134 | 1,206 | 1,285 | 1,372 |
| COBWBL193424 | 10    | 1,152 | 1,184 | 1,254 | 1,330 | 1,413 | 1,505 | 1,606 | 1,718 |
| COBWBL254215 | 10    | 1,377 | 1,423 | 1,520 | 1,627 | 1,746 | 1,874 | 2,018 | 2,175 |
| COBWBL254224 | 15    | 1,435 | 1,481 | 1,577 | 1,685 | 1,803 | 1,932 | 2,076 | 2,233 |
| COBWBL253415 | 8     | 1,177 | 1,214 | 1,289 | 1,374 | 1,468 | 1,568 | 1,680 | 1,804 |
| COBWBL253424 | 13    | 1,234 | 1,271 | 1,347 | 1,432 | 1,524 | 1,626 | 1,738 | 1,862 |
| COBWBL314215 | 12    | 1,494 | 1,542 | 1,646 | 1,764 | 1,889 | 2,031 | 2,185 | 2,354 |
| COBWBL313415 | 10    | 1,278 | 1,317 | 1,399 | 1,491 | 1,590 | 1,701 | 1,822 | 1,954 |
| COBWBM194215 | 8     | 1,019 | 1,051 | 1,121 | 1,196 | 1,280 | 1,372 | 1,472 | 1,585 |
| COBWBM194224 | 12    | 1,108 | 1,141 | 1,209 | 1,286 | 1,370 | 1,461 | 1,561 | 1,674 |
| COBWBM193415 | 6     | 877   | 903   | 959   | 1,017 | 1,084 | 1,156 | 1,234 | 1,322 |
| COBWBM193424 | 10    | 966   | 992   | 1,047 | 1,106 | 1,173 | 1,245 | 1,324 | 1,411 |
| COBWBM254215 | 10    | 1,337 | 1,383 | 1,479 | 1,586 | 1,705 | 1,834 | 1,978 | 2,135 |
| COBWBM254224 | 15    | 1,398 | 1,444 | 1,541 | 1,647 | 1,766 | 1,895 | 2,039 | 2,196 |
| COBWBM253415 | 8     | 1,136 | 1,173 | 1,249 | 1,334 | 1,426 | 1,528 | 1,640 | 1,764 |
| COBWBM253424 | 13    | 1,197 | 1,234 | 1,311 | 1,396 | 1,488 | 1,589 | 1,701 | 1,825 |
| COBWBM314215 | 12    | 1,450 | 1,498 | 1,603 | 1,721 | 1,847 | 1,988 | 2,142 | 2,311 |
| COBWBM313415 | 10    | 1,234 | 1,274 | 1,356 | 1,448 | 1,547 | 1,658 | 1,778 | 1,910 |
| COBWBM313424 | 15    | 953   | 992   | 1,075 | 1,167 | 1,266 | 1,377 | 1,497 | 1,629 |
| COBWBM314224 | 19    | 1,169 | 1,217 | 1,322 | 1,439 | 1,566 | 1,706 | 1,861 | 2,030 |

|              | CUBES | 1     | 2     | 3     | 4     | 5     | 6     | 7     | 8     |
|--------------|-------|-------|-------|-------|-------|-------|-------|-------|-------|
| COBWBS194215 | 8     | 1,016 | 1,049 | 1,118 | 1,194 | 1,278 | 1,370 | 1,470 | 1,582 |
| COBWBS194224 | 12    | 1,088 | 1,121 | 1,190 | 1,266 | 1,350 | 1,441 | 1,542 | 1,654 |
| COBWBS193415 | 6     | 875   | 901   | 955   | 1,014 | 1,082 | 1,154 | 1,232 | 1,319 |
| COBWBS193424 | 10    | 1,088 | 1,121 | 1,190 | 1,266 | 1,350 | 1,441 | 1,542 | 1,654 |
| COBWBS254215 | 10    | 1,313 | 1,359 | 1,456 | 1,562 | 1,681 | 1,810 | 1,954 | 2,111 |
| COBWBS254224 | 15    | 1,372 | 1,417 | 1,515 | 1,621 | 1,740 | 1,869 | 2,013 | 2,170 |
| COBWBS253415 | 8     | 1,112 | 1,149 | 1,226 | 1,311 | 1,403 | 1,504 | 1,616 | 1,740 |
| COBWBS253424 | 13    | 1,171 | 1,208 | 1,285 | 1,370 | 1,462 | 1,562 | 1,675 | 1,799 |
| COBWBS313424 | 15    | 953   | 992   | 1,075 | 1,167 | 1,266 | 1,377 | 1,497 | 1,629 |
| COBWBS314215 | 12    | 1,417 | 1,465 | 1,570 | 1,688 | 1,814 | 1,955 | 2,110 | 2,279 |
| COBWBS313415 | 10    | 1,202 | 1,241 | 1,324 | 1,415 | 1,515 | 1,626 | 1,746 | 1,877 |
| COBWBS314224 | 19    | 1,169 | 1,217 | 1,322 | 1,439 | 1,566 | 1,706 | 1,861 | 2,030 |

In keeping with our continuous refinement policy, Nations Cabinetry reserves the right to change design, specifications, materials and prices without notice or obligation to make similar changes in products previously produced.

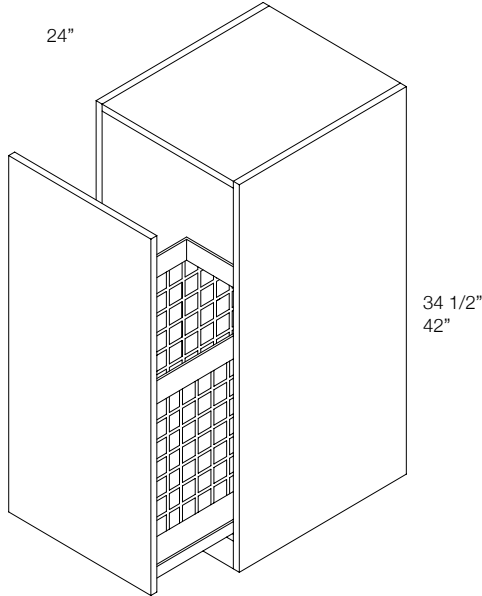
## Closet Hamper Base Cabinets

### OPTIONS

|           |            |            |            |            |             |
|-----------|------------|------------|------------|------------|-------------|
| <i>AF</i> | <i>FAS</i> | <i>MTD</i> | <i>NBK</i> | <i>NBS</i> | <i>NODR</i> |
|-----------|------------|------------|------------|------------|-------------|

NOTES:

- 



Closetree

|           | CUBES | 1     | 2     | 3     | 4     | 5     | 6     | 7     | 8     |
|-----------|-------|-------|-------|-------|-------|-------|-------|-------|-------|
| CHB183424 | 9     | 2,636 | 2,759 | 3,019 | 3,305 | 3,619 | 3,963 | 4,343 | 4,762 |
| CHB184224 | 11    | 2,832 | 2,955 | 3,215 | 3,502 | 3,815 | 4,159 | 4,539 | 4,958 |
| CHB193424 | 10    | 2,832 | 360   | 360   | 360   | 360   | 360   | 360   | 360   |
| CHB194224 | 12    | 3,029 | 556   | 556   | 556   | 556   | 556   | 556   | 556   |

Single door cabinets require hinging - default is Left

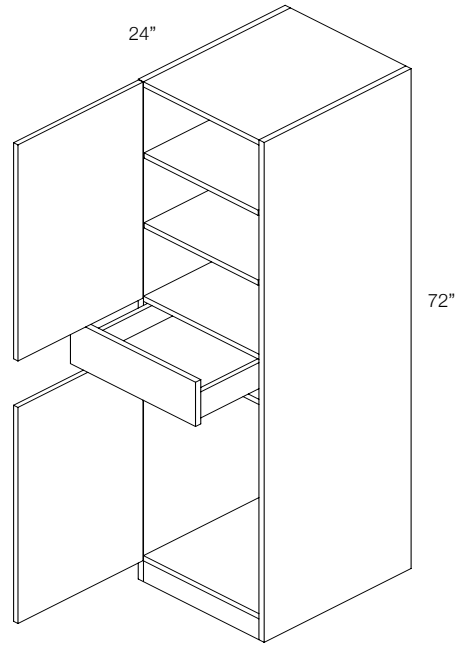
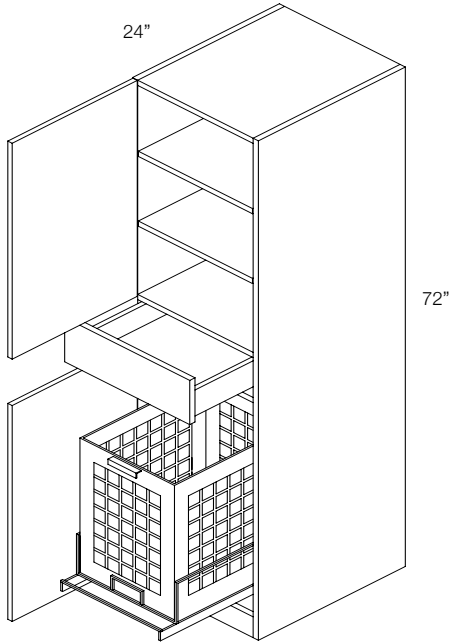
## Closet Linen/Hamper Cabinets

### OPTIONS

|           |            |            |            |            |             |
|-----------|------------|------------|------------|------------|-------------|
| <i>AF</i> | <i>FAS</i> | <i>MTD</i> | <i>NBK</i> | <i>NBS</i> | <i>NODR</i> |
|-----------|------------|------------|------------|------------|-------------|

NOTES:

- 



|           | CUBES | 1     | 2     | 3     | 4     | 5     | 6     | 7     | 8     |
|-----------|-------|-------|-------|-------|-------|-------|-------|-------|-------|
| CHT187224 | 18    | 3,817 | 3,989 | 4,353 | 4,754 | 5,193 | 5,677 | 6,210 | 6,798 |
| CLT187224 | 18    | 2,707 | 2,826 | 3,073 | 3,345 | 3,645 | 3,975 | 4,337 | 4,735 |



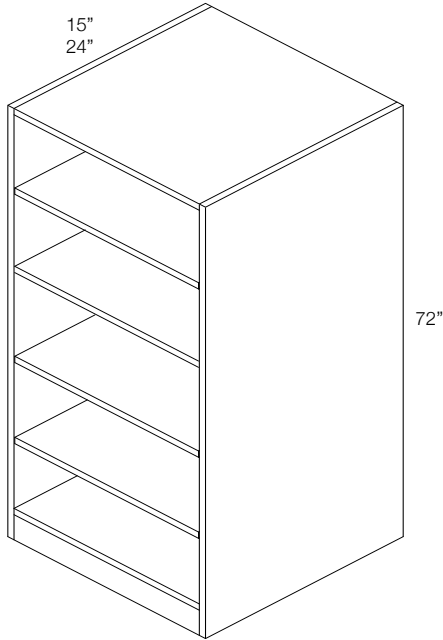
## Closet Bookcases

### OPTIONS

|           |            |            |            |            |             |
|-----------|------------|------------|------------|------------|-------------|
| <i>AF</i> | <i>FAS</i> | <i>MTD</i> | <i>NBK</i> | <i>NBS</i> | <i>NODR</i> |
|-----------|------------|------------|------------|------------|-------------|

NOTES:

- Comes with 4 shelves



Closetree

|           | CUBES | 1     | 2     | 3     | 4     | 5     | 6     | 7     | 8     |
|-----------|-------|-------|-------|-------|-------|-------|-------|-------|-------|
| CBK157215 | 10    | 1,544 | 1,614 | 1,759 | 1,919 | 2,095 | 2,287 | 2,499 | 2,732 |
| CBK157224 | 15    | 1,544 | 1,614 | 1,759 | 1,919 | 2,095 | 2,287 | 2,499 | 2,732 |
| CBK187215 | 12    | 1,620 | 1,692 | 1,844 | 2,013 | 2,197 | 2,400 | 2,623 | 2,868 |
| CBK187224 | 18    | 1,620 | 1,692 | 1,844 | 2,013 | 2,197 | 2,400 | 2,623 | 2,868 |
| CBK247215 | 15    | 1,779 | 1,860 | 2,028 | 2,215 | 2,419 | 2,646 | 2,893 | 3,166 |
| CBK247224 | 24    | 1,779 | 1,860 | 2,028 | 2,215 | 2,419 | 2,646 | 2,893 | 3,166 |
| CBK307215 | 19    | 2,149 | 2,248 | 2,456 | 2,686 | 2,937 | 3,214 | 3,519 | 3,855 |
| CBK307224 | 30    | 2,149 | 2,248 | 2,456 | 2,686 | 2,937 | 3,214 | 3,519 | 3,855 |

## Filler Strips



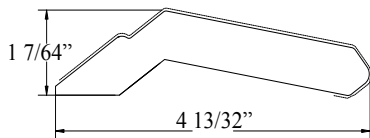
NOTES:

- Finished both sides
- Finished 4 ends standard
- TM/Acrylic are HDF core
- Paint/Wood are plywood

|          | CUBES | 1   | 2   | 3   | 4   | 5   | 6   | 7   | 8   |
|----------|-------|-----|-----|-----|-----|-----|-----|-----|-----|
| CT.FS336 | 1     | 87  | 92  | 100 | 111 | 122 | 134 | 147 | 161 |
| CT.FS339 | 1     | 87  | 92  | 100 | 111 | 122 | 134 | 147 | 161 |
| CT.FS342 | 1     | 87  | 92  | 100 | 111 | 122 | 134 | 147 | 161 |
| CT.FS348 | 1     | 96  | 101 | 112 | 123 | 135 | 148 | 164 | 179 |
| CT.FS351 | 1     | 110 | 114 | 126 | 138 | 153 | 167 | 184 | 202 |
| CT.FS354 | 1     | 113 | 119 | 131 | 144 | 158 | 174 | 191 | 210 |
| CT.FS357 | 1     | 116 | 122 | 134 | 147 | 162 | 178 | 196 | 215 |

|          | CUBES | 1   | 2   | 3   | 4   | 5   | 6   | 7   | 8   |
|----------|-------|-----|-----|-----|-----|-----|-----|-----|-----|
| CT.FS360 | 1     | 119 | 125 | 137 | 152 | 166 | 183 | 201 | 221 |
| CT.FS384 | 1     | 216 | 227 | 250 | 274 | 302 | 332 | 365 | 401 |

## Shaker Crown



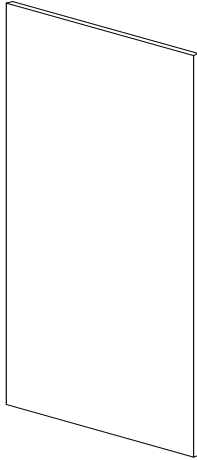
(Available only in TM, excluding Gregio Pine and Morning Fog)

NOTES:

- N/A in Echo or Acrylic
- Bold/Double line denotes finish area

|         | CUBES | 1   | 2   | 3   | 4   | 5 | 6 | 7 | 8 |
|---------|-------|-----|-----|-----|-----|---|---|---|---|
| CT.CMSH | 1     | 336 | 336 | 261 | 287 | - | - | - | - |

## End Panels



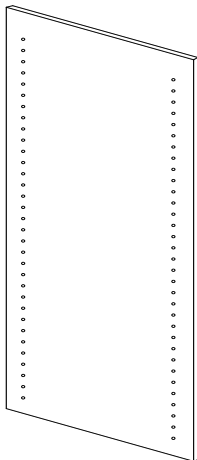
### NOTES:

- Finished both sides
- Finished 4 ends standard
- 3/4" thick

|            | CUBES | 1     | 2     | 3     | 4     | 5     | 6     | 7     | 8     |
|------------|-------|-------|-------|-------|-------|-------|-------|-------|-------|
| CT.BEP1534 | 1     | 298   | 334   | 354   | 391   | 428   | 465   | 520   | 576   |
| CT.BEP1542 | 1     | 367   | 413   | 436   | 482   | 528   | 574   | 641   | 711   |
| CT.BEP2434 | 1     | 476   | 535   | 565   | 624   | 684   | 743   | 831   | 920   |
| CT.BEP2442 | 1     | 587   | 660   | 697   | 770   | 843   | 916   | 1,026 | 1,136 |
| CT.TEP1572 | 1     | 628   | 707   | 746   | 825   | 903   | 981   | 1,099 | 1,217 |
| CT.TEP1584 | 1     | 733   | 825   | 870   | 962   | 1,053 | 1,145 | 1,282 | 1,420 |
| CT.TEP2472 | 1     | 1,005 | 1,131 | 1,194 | 1,319 | 1,445 | 1,570 | 1,759 | 1,947 |

|            | CUBES | 1     | 2     | 3     | 4     | 5     | 6     | 7     | 8     |
|------------|-------|-------|-------|-------|-------|-------|-------|-------|-------|
| CT.TEP2484 | 1     | 1,173 | 1,319 | 1,392 | 1,540 | 1,686 | 1,832 | 2,052 | 2,272 |
| CT.WEP1524 | 1     | 210   | 236   | 249   | 275   | 301   | 327   | 367   | 406   |
| CT.WEP1527 | 1     | 236   | 266   | 281   | 311   | 339   | 370   | 413   | 457   |
| CT.WEP1530 | 1     | 262   | 295   | 312   | 345   | 378   | 410   | 458   | 508   |
| CT.WEP2424 | 1     | 336   | 378   | 398   | 441   | 482   | 524   | 587   | 650   |
| CT.WEP2427 | 1     | 378   | 425   | 448   | 495   | 542   | 589   | 660   | 731   |
| CT.WEP2430 | 1     | 419   | 471   | 498   | 550   | 602   | 654   | 733   | 811   |

## End Panels - Bored



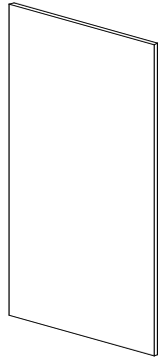
### NOTES:

- Finished both sides
- Finished 4 ends standard
- 3/4" thick

|             | CUBES | 1     | 2     | 3     | 4     | 5     | 6     | 7     | 8     |
|-------------|-------|-------|-------|-------|-------|-------|-------|-------|-------|
| CT.BEP1534B | 1     | 301   | 339   | 359   | 396   | 434   | 471   | 528   | 585   |
| CT.BEP1542B | 1     | 367   | 413   | 436   | 482   | 528   | 574   | 641   | 711   |
| CT.BEP2434B | 1     | 482   | 542   | 573   | 633   | 693   | 753   | 843   | 934   |
| CT.BEP2442B | 1     | 587   | 660   | 697   | 770   | 843   | 916   | 1,026 | 1,136 |
| CT.TEP1572B | 1     | 628   | 707   | 746   | 825   | 903   | 981   | 1,099 | 1,217 |
| CT.TEP1584B | 1     | 733   | 825   | 870   | 962   | 1,053 | 1,145 | 1,282 | 1,420 |
| CT.TEP2472B | 1     | 1,005 | 1,131 | 1,194 | 1,319 | 1,445 | 1,570 | 1,759 | 1,947 |

|             | CUBES | 1     | 2     | 3     | 4     | 5     | 6     | 7     | 8     |
|-------------|-------|-------|-------|-------|-------|-------|-------|-------|-------|
| CT.TEP2484B | 1     | 1,173 | 1,319 | 1,392 | 1,540 | 1,686 | 1,832 | 2,052 | 2,272 |
| CT.WEP1524B | 1     | 210   | 236   | 249   | 275   | 301   | 327   | 367   | 406   |
| CT.WEP1527B | 1     | 236   | 266   | 281   | 311   | 339   | 370   | 413   | 457   |
| CT.WEP1530B | 1     | 262   | 295   | 312   | 345   | 378   | 410   | 458   | 508   |
| CT.WEP2424B | 1     | 336   | 378   | 398   | 441   | 482   | 524   | 587   | 650   |
| CT.WEP2427B | 1     | 378   | 425   | 448   | 495   | 542   | 589   | 660   | 731   |
| CT.WEP2430B | 1     | 419   | 471   | 498   | 550   | 602   | 654   | 733   | 811   |

## Custom Size Panels



NOTES:

- PNL 48" max width and 96" max height
- Edge banding on all 4 sides
- Finished both sides
- 1/16" increments
- Priced by square foot

|                 | CUBES | 1  | 2  | 3  | 4   | 5   | 6   | 7   | 8   |
|-----------------|-------|----|----|----|-----|-----|-----|-----|-----|
| CPNL3/4 (SQ FT) | 1     | 77 | 87 | 92 | 101 | 111 | 120 | 135 | 149 |

## Installation Items



Hanging Rail



Connector Bolt



Anti Tip Safety Bracket

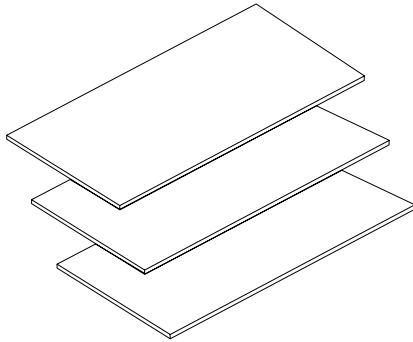
NOTES:

- CT.ZBHR = Hanging Rail
- CT.CBPK20 = Connector Bolt (PK 20)
- CT.ATSB = Anti Tip Safety Bracket

|           | CUBES | 1   | 2   | 3   | 4   | 5   | 6   | 7   | 8   |
|-----------|-------|-----|-----|-----|-----|-----|-----|-----|-----|
| CT.ZBHR   | 1     | 171 | 171 | 171 | 171 | 171 | 171 | 171 | 171 |
| CT.CBPK20 | 1     | 33  | 33  | 33  | 33  | 33  | 33  | 33  | 33  |
| CT.ATSB   | 1     | 20  | 20  | 20  | 20  | 20  | 20  | 20  | 20  |

Accessories

## Shelf Kits



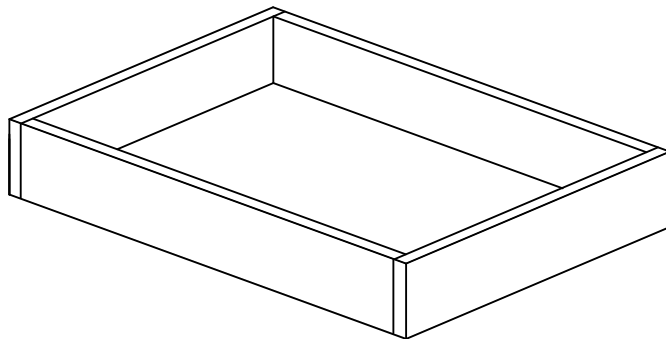
### NOTES:

- Kit comes with 3 shelves and 12 clips

|         | CUBES | 1  | 2  | 3  | 4  | 5  | 6  | 7  | 8  |
|---------|-------|----|----|----|----|----|----|----|----|
| CSK1515 | 1     | 66 | 66 | 66 | 66 | 66 | 66 | 66 | 66 |
| CSK1524 | 1     | 66 | 66 | 66 | 66 | 66 | 66 | 66 | 66 |
| CSK1815 | 1     | 66 | 66 | 66 | 66 | 66 | 66 | 66 | 66 |
| CSK1824 | 1     | 66 | 66 | 66 | 66 | 66 | 66 | 66 | 66 |
| CSK1915 | 1     | 90 | 90 | 90 | 90 | 90 | 90 | 90 | 90 |
| CSK1924 | 1     | 90 | 90 | 90 | 90 | 90 | 90 | 90 | 90 |
| CSK2415 | 1     | 90 | 90 | 90 | 90 | 90 | 90 | 90 | 90 |

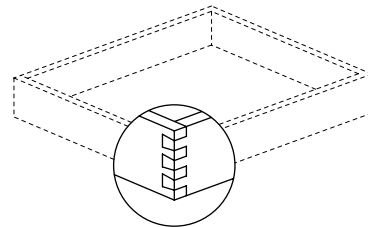
|         | CUBES | 1  | 2  | 3  | 4  | 5  | 6  | 7  | 8  |
|---------|-------|----|----|----|----|----|----|----|----|
| CSK2424 | 1     | 90 | 90 | 90 | 90 | 90 | 90 | 90 | 90 |
| CSK2515 | 1     | 90 | 90 | 90 | 90 | 90 | 90 | 90 | 90 |
| CSK2524 | 1     | 90 | 90 | 90 | 90 | 90 | 90 | 90 | 90 |
| CSK3015 | 1     | 90 | 90 | 90 | 90 | 90 | 90 | 90 | 90 |
| CSK3024 | 1     | 90 | 90 | 90 | 90 | 90 | 90 | 90 | 90 |
| CSK3115 | 1     | 90 | 90 | 90 | 90 | 90 | 90 | 90 | 90 |
| CSK3124 | 1     | 90 | 90 | 90 | 90 | 90 | 90 | 90 | 90 |

## Roll Out Shelves



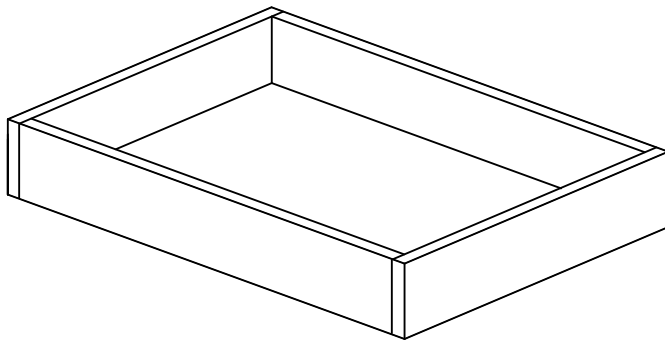
### NOTES:

- To be used on cabinets with doors
- Roll out trays are 3 3/4" in height
- 5/8" solid wood dovetail
- Comes standard with soft close guides



|          | CUBES | 1   | 2   | 3   | 4   | 5   | 6   | 7   | 8   |
|----------|-------|-----|-----|-----|-----|-----|-----|-----|-----|
| CROS1524 | 1     | 375 | 375 | 375 | 375 | 375 | 375 | 375 | 375 |
| CROS1824 | 1     | 375 | 375 | 375 | 375 | 375 | 375 | 375 | 375 |
| CROS1924 | 2     | 375 | 375 | 375 | 375 | 375 | 375 | 375 | 375 |
| CROS2424 | 2     | 434 | 434 | 434 | 434 | 434 | 434 | 434 | 434 |
| CROS2524 | 2     | 434 | 434 | 434 | 434 | 434 | 434 | 434 | 434 |
| CROS3024 | 2     | 434 | 434 | 434 | 434 | 434 | 434 | 434 | 434 |
| CROS3124 | 2     | 434 | 434 | 434 | 434 | 434 | 434 | 434 | 434 |

## Open Roll Out Shelves



**NOTES:**

- To be used on cabinets without doors
- Roll out trays are 3 1/4" in height
- 5/8" 2 sided matching melamine
- Closet Open Roll Out Shelf comes with metal soft close guide standard

|           | CUBES | 1   | 2   | 3   | 4   | 5   | 6   | 7   | 8   |
|-----------|-------|-----|-----|-----|-----|-----|-----|-----|-----|
| COROS1524 | 1     | 375 | 375 | 375 | 375 | 375 | 375 | 375 | 375 |
| COROS1824 | 1     | 375 | 375 | 375 | 375 | 375 | 375 | 375 | 375 |
| COROS1924 | 2     | 375 | 375 | 375 | 375 | 375 | 375 | 375 | 375 |
| COROS2424 | 2     | 434 | 434 | 434 | 434 | 434 | 434 | 434 | 434 |
| COROS2524 | 2     | 434 | 434 | 434 | 434 | 434 | 434 | 434 | 434 |
| COROS3024 | 2     | 434 | 434 | 434 | 434 | 434 | 434 | 434 | 434 |
| COROS3124 | 2     | 434 | 434 | 434 | 434 | 434 | 434 | 434 | 434 |

## Chrome Wire Baskets



**NOTES:**

- Easy to remove baskets
- Baskets rest on top of the full-extension slides, eliminating torque twist
- Bayonet mounting system
- Small = 7 "H
- Medium = 11" H
- Large = 18" H
- 19 1/2" wide cabinets = 18" W Basket
- 25 1/2" wide cabinets = 24" W Basket
- 31 1/2" wide cabinets = 30" W Basket

|           | CUBES | 1   | 2   | 3   | 4   | 5   | 6   | 7   | 8   |
|-----------|-------|-----|-----|-----|-----|-----|-----|-----|-----|
| CWB190714 | 2     | 196 | 196 | 196 | 196 | 196 | 196 | 196 | 196 |
| CWB190720 | 2     | 268 | 268 | 268 | 268 | 268 | 268 | 268 | 268 |
| CWB191114 | 2     | 199 | 199 | 199 | 199 | 199 | 199 | 199 | 199 |
| CWB191120 | 3     | 287 | 287 | 287 | 287 | 287 | 287 | 287 | 287 |
| CWB191814 | 3     | 247 | 247 | 247 | 247 | 247 | 247 | 247 | 247 |
| CWB191820 | 4     | 331 | 331 | 331 | 331 | 331 | 331 | 331 | 331 |
| CWB250714 | 2     | 218 | 218 | 218 | 218 | 218 | 218 | 218 | 218 |
| CWB250720 | 2     | 278 | 278 | 278 | 278 | 278 | 278 | 278 | 278 |

|           | CUBES | 1   | 2   | 3   | 4   | 5   | 6   | 7   | 8   |
|-----------|-------|-----|-----|-----|-----|-----|-----|-----|-----|
| CWB251114 | 3     | 241 | 241 | 241 | 241 | 241 | 241 | 241 | 241 |
| CWB251120 | 4     | 305 | 305 | 305 | 305 | 305 | 305 | 305 | 305 |
| CWB251814 | 4     | 282 | 282 | 282 | 282 | 282 | 282 | 282 | 282 |
| CWB251820 | 5     | 341 | 341 | 341 | 341 | 341 | 341 | 341 | 341 |
| CWB310714 | 2     | 249 | 249 | 249 | 249 | 249 | 249 | 249 | 249 |
| CWB311114 | 3     | 282 | 282 | 282 | 282 | 282 | 282 | 282 | 282 |
| CWB311814 | 5     | 326 | 326 | 326 | 326 | 326 | 326 | 326 | 326 |

## Pant Racks



NOTES:

- Heavy gauge chrome frame
- Distinctive moveable fingers for easy access
- Full-extension slides

|        | CUBES | 1   | 2   | 3   | 4   | 5   | 6   | 7   | 8   |
|--------|-------|-----|-----|-----|-----|-----|-----|-----|-----|
| CWPR25 | 1     | 350 | 350 | 350 | 350 | 350 | 350 | 350 | 350 |
| CWPR31 | 1     | 393 | 393 | 393 | 393 | 393 | 393 | 393 | 393 |

## Hinges

NOTES:

- 

|            | CUBES | 1   | 2   | 3   | 4   | 5   | 6   | 7   | 8   |
|------------|-------|-----|-----|-----|-----|-----|-----|-----|-----|
| CT.PFHSC   | 1     | 46  | 46  | 46  | 46  | 46  | 46  | 46  | 46  |
| CT.PFHSCP5 | 1     | 202 | 202 | 202 | 202 | 202 | 202 | 202 | 202 |

Metal Shelf Clips



NOTES:

- 

|         | CUBES | 1  | 2  | 3  | 4  | 5  | 6  | 7  | 8  |
|---------|-------|----|----|----|----|----|----|----|----|
| MCSCP10 | 1     | 12 | 12 | 12 | 12 | 12 | 12 | 12 | 12 |

Belt Racks



NOTES:

- Holds up to (20) ties, (5) belts and (4) peg-closure belts
- Includes a spacious tray for storing loose item
- Chrome pegs and full-extension slides

Accessories

|     | CUBES | 1   | 2   | 3   | 4   | 5   | 6   | 7   | 8   |
|-----|-------|-----|-----|-----|-----|-----|-----|-----|-----|
| CBR | 1     | 213 | 213 | 213 | 213 | 213 | 213 | 213 | 213 |



## Valet Rods

NOTES:

- Adjustable mounting brackets
- Installs easily with only (2) screws
- Offered in chrome
- Unique removable pull



|     | CUBES | 1  | 2  | 3  | 4  | 5  | 6  | 7  | 8  |
|-----|-------|----|----|----|----|----|----|----|----|
| CVR | 1     | 70 | 70 | 70 | 70 | 70 | 70 | 70 | 70 |

## Towel Hooks

NOTES:

- Offered in chrome
- Mounting hardware included
- Concealed mounting plate



|      | CUBES | 1  | 2  | 3  | 4  | 5  | 6  | 7  | 8  |
|------|-------|----|----|----|----|----|----|----|----|
| CT1H | 1     | 36 | 36 | 36 | 36 | 36 | 36 | 36 | 36 |
| CT3H | 1     | 33 | 33 | 33 | 33 | 33 | 33 | 33 | 33 |

Shoe Rails

NOTES:

- Offered in Chrome
- Easy installation
- Heavy gauge wire



|        | CUBES | 1  | 2  | 3  | 4  | 5  | 6  | 7  | 8  |
|--------|-------|----|----|----|----|----|----|----|----|
| CWSR19 | 1     | 20 | 20 | 20 | 20 | 20 | 20 | 20 | 20 |
| CWSR25 | 1     | 22 | 22 | 22 | 22 | 22 | 22 | 22 | 22 |
| CWSR31 | 1     | 26 | 26 | 26 | 26 | 26 | 26 | 26 | 26 |

Hanging Rod/Supports

NOTES:

- Hanging rod is 72"
- Can be cut down to custom size in field



|       | CUBES | 1  | 2  | 3  | 4  | 5  | 6  | 7  | 8  |
|-------|-------|----|----|----|----|----|----|----|----|
| CHR72 | 1     | 78 | 78 | 78 | 78 | 78 | 78 | 78 | 78 |
| CHRS  | 1     | 33 | 33 | 33 | 33 | 33 | 33 | 33 | 33 |

Accessories

## Decorative Hardware



**FDH01**  
ZINC PULL 3 15/16" B.N.  
FIN 64MM O.C.



**FDH03**  
ZINC PULL 4 3/32" B.N. FIN  
64MM O.C.



**FDH04**  
STEEL PULL 8 3/16" B.N.  
128MM O.C.



**FDH05**  
STEEL PULL 6 5/32" B.N.  
96MM O.C.



**FDH06**  
STEEL PULL 6 15/16" B.N.  
96MM O.C.



**FDH07**  
STEEL PULL 4 3/32" B.N.  
96MM O.C.



**FDH08**  
STEEL PULL 4 11/16" B.N. 4"  
O.C.



**FDH09**  
MTL PULL 5 5/16" B.N.  
128MM O.C.



**FDH10**  
MTL PULL 3 5/16 B.N.  
64MM O.C.



**FDH11**  
MTL KNOB 1 1/4"D B.N.



**FDH12**  
MTL KNOB 1 3/16"D B.N.



**FDH13**  
MTL KNOB 1 7/32"W B.N.

Accessories

|       | CUBES | 1  | 2  | 3  | 4  | 5  | 6  | 7  | 8  |
|-------|-------|----|----|----|----|----|----|----|----|
| FDH01 | 1     | 26 | 26 | 26 | 26 | 26 | 26 | 26 | 26 |
| FDH03 | 1     | 35 | 35 | 35 | 35 | 35 | 35 | 35 | 35 |
| FDH04 | 1     | 18 | 18 | 18 | 18 | 18 | 18 | 18 | 18 |
| FDH05 | 1     | 14 | 14 | 14 | 14 | 14 | 14 | 14 | 14 |
| FDH06 | 1     | 16 | 16 | 16 | 16 | 16 | 16 | 16 | 16 |
| FDH07 | 1     | 9  | 9  | 9  | 9  | 9  | 9  | 9  | 9  |
| FDH08 | 1     | 9  | 9  | 9  | 9  | 9  | 9  | 9  | 9  |
| FDH09 | 1     | 35 | 35 | 35 | 35 | 35 | 35 | 35 | 35 |
| FDH10 | 1     | 6  | 6  | 6  | 6  | 6  | 6  | 6  | 6  |
| FDH11 | 1     | 91 | 91 | 91 | 91 | 91 | 91 | 91 | 91 |
| FDH12 | 1     | 18 | 18 | 18 | 18 | 18 | 18 | 18 | 18 |
| FDH13 | 1     | 19 | 19 | 19 | 19 | 19 | 19 | 19 | 19 |
| FDH14 | 1     | 7  | 7  | 7  | 7  | 7  | 7  | 7  | 7  |

|       | CUBES | 1  | 2  | 3  | 4  | 5  | 6  | 7  | 8  |
|-------|-------|----|----|----|----|----|----|----|----|
| FDH15 | 1     | 11 | 11 | 11 | 11 | 11 | 11 | 11 | 11 |
| FDH16 | 1     | 20 | 20 | 20 | 20 | 20 | 20 | 20 | 20 |
| FDH17 | 1     | 50 | 50 | 50 | 50 | 50 | 50 | 50 | 50 |
| FDH18 | 1     | 20 | 20 | 20 | 20 | 20 | 20 | 20 | 20 |
| FDH19 | 1     | 26 | 26 | 26 | 26 | 26 | 26 | 26 | 26 |
| FDH20 | 1     | 88 | 88 | 88 | 88 | 88 | 88 | 88 | 88 |
| FDH21 | 1     | 7  | 7  | 7  | 7  | 7  | 7  | 7  | 7  |
| FDH22 | 1     | 7  | 7  | 7  | 7  | 7  | 7  | 7  | 7  |
| FDH23 | 1     | 32 | 32 | 32 | 32 | 32 | 32 | 32 | 32 |
| FDH24 | 1     | 52 | 52 | 52 | 52 | 52 | 52 | 52 | 52 |
| FDH25 | 1     | 76 | 76 | 76 | 76 | 76 | 76 | 76 | 76 |

Decorative Hardware

|   |   |   |  |
|---|---|---|--|
|  <p><b>FDH14</b><br/>MTL PULL 6 3/8" B.N.<br/>128MM O.C.</p>   |  <p><b>FDH15</b><br/>MTL PULL 9 3/8" B.N.<br/>192MM O.C.</p> |  <p><b>FDH016</b><br/>MTL PULL 5 7/16" B.N.<br/>128MM O.C.</p>  |  <p><b>FDH17</b><br/>MTL PULL 6 11/16" B.N.<br/>160MM O.C.</p>            |
|  <p><b>FDH18</b><br/>MTL PULL 9 13/32" B.N.<br/>192MM O.C.</p> |  <p><b>FDH19</b><br/>MTL KNOB 1 3/16" B.N.</p>               |  <p><b>FDH20</b><br/>MTL PULL 7 15/32 CHROME<br/>128MM O.C.</p> |  <p><b>FDH21</b><br/>MTL PULL 6 13/16"<br/>CHROME/B.N. 160MM<br/>O.C.</p> |
|  <p><b>FDH22</b><br/>MTL KNOB 1 3/16"<br/>CHROME</p>         |  <p><b>FDH23</b><br/>MTL KNOB 1 9/16" POL.<br/>CHROME</p>  |  <p><b>FDH24</b><br/>MTL KNOB 1 7/32" POL<br/>CHROME FIN</p>  |  <p><b>FDH25</b><br/>CHRM. KNOB/PLT 1 7/32-3<br/>17/32" 32MM O.C.</p>   |

Accessories

| SKU      | DESCRIPTION                                       | PAGE    | SKU    | DESCRIPTION                               | PAGE    |
|----------|---|---------|--------|---|---------|
|          | STANDARD CONSTRUCTION . . . . .                   | 1       | CVR    | Valet Rods . . . . .                      | 47      |
|          | MATERIAL INFORMATION. . . . .                     | 2       | CWB    | Chrome Wire Baskets . . . . .             | 44      |
|          | DOORS . . . . .                                   | 3       | CWP    | Pant Racks . . . . .                      | 45      |
|          | HINGE / DRAWER INFO . . . . .                     | 3       | CWSR   | Shoe Rails . . . . .                      | 48      |
|          | COLOR SELECTION . . . . .                         | 4       | FDH    | Decorative Hardware. . . . .              | 49 - 50 |
|          | CARE AND CLEANING . . . . .                       | 5- 6    | HWCR   | Hanging Wall Closet Rod Cabinets. . . . . | 33      |
|          | INSTALLATION DO'S AND DON'T'S . . . . .           | 6       | MC     | Metal Shelf Clips . . . . .               | 46      |
|          | CONSTRUCTION OPTION CHARGES . . . . .             | 7       | PNL3/4 | Custom Panels. . . . .                    | 42      |
|          | CONSTRUCTION OPTIONS. . . . .                     | 9 - 11  | WOCC   | Wall Open Corner Cabinets . . . . .       | 34      |
|          | PRICE LEVELS . . . . .                            | 12      |        |   |         |
| BOCC     | Base Open Corner Cabinets . . . . .               | 34      |        |   |         |
| C2DB     | Closet 2 Drawer Base Cabinets. . . . .            | 21      |        |   |         |
| C3DB     | Closet 3 Drawer Base Cabinets. . . . .            | 22      |        |   |         |
| C4DB     | Closet 4 Drawer Base Cabinets. . . . .            | 23      |        |   |         |
| CB       | Closet Base Cabinets . . . . .                    | 19      |        |   |         |
| CBAD     | Closet Base All Door Cabinets. . . . .            | 20      |        |   |         |
| CBK      | Closet Bookcases . . . . .                        | 39      |        |   |         |
| CBR      | Belt Rack . . . . .                               | 46      |        |   |         |
| CH       | Hanging Rod/Supports. . . . .                     | 48      |        |   |         |
| CHB      | Closet Hamper Base Cabinets . . . . .             | 37      |        |   |         |
| CHRB     | Closet Hanging Rod Base Cabinets . . . . .        | 32      |        |   |         |
| CHRW     | Closet Hanging Rod Wall Cabinets. . . . .         | 31      |        |   |         |
| CHT      | Closet Hamper Cabinet. . . . .                    | 38      |        |   |         |
| CLDW     | Closet Lift Door Wall Cabinets . . . . .          | 15      |        |   |         |
| CLT      | Closet Linen Cabinet . . . . .                    | 38      |        |   |         |
| CLW      | Closet Wall Cabinets. . . . .                     | 13 - 14 |        |   |         |
| COB      | Closet Open Base Cabinets . . . . .               | 18      |        |   |         |
| COBDWB   | Open Base Wire Basket w/Drawer Cabinets. . . . .  | 35      |        |   |         |
| COBWB    | Open Base Wire Basket Cabinets . . . . .          | 36      |        |   |         |
| COROB    | Closet Open Roll Out Base Cabinets . . . . .      | 27      |        |   |         |
| COROS    | Open Roll Out Shelves . . . . .                   | 44      |        |   |         |
| COW      | Closet Open Wall Cabinets . . . . .               | 17      |        |   |         |
| CPLDW    | Closet Pull and Lift Door Wall Cabinets . . . . . | 16      |        |   |         |
| CPRBB    | Closet Pant Rack Base Cabinets. . . . .           | 28      |        |   |         |
| CROBAD   | Closet All Door Roll Out Base Cabinets . . . . .  | 26      |        |   |         |
| CROS     | Roll Out Shelves . . . . .                        | 43      |        |   |         |
| CSK      | Closet Shelf Kits . . . . .                       | 43      |        |   |         |
| CSRB     | Closet Shoe Rack Base Cabinets . . . . .          | 30      |        |   |         |
| CSRW     | Closet Shoe Rack Wall Cabinets. . . . .           | 29      |        |   |         |
| CST3DB   | Split Top 3 Drawer Closet Base Cabinet. . . . .   | 24      |        |   |         |
| CST4DB   | Split Top 4 Drawer Closet Base Cabinet. . . . .   | 25      |        |   |         |
| CT       | Towel Hooks . . . . .                             | 47      |        |   |         |
| CT.ATSB  | Anti Tip Safety Bracket . . . . .                 | 42      |        |   |         |
| CT.BEP   | Base End Panels . . . . .                         | 41      |        |   |         |
| CT.BEP-B | Base End Panels - Bored. . . . .                  | 41      |        |   |         |
| CT.CB    | Connector Bolts. . . . .                          | 42      |        |   |         |
| CT.CMSH  | Shaker Crown . . . . .                            | 40      |        |   |         |
| CT.FS    | Filler Strips . . . . .                           | 40      |        |   |         |
| CT.PFHSC | Hinges. . . . .                                   | 45      |        |   |         |
| CT.TEP   | Tall End Panels . . . . .                         | 41      |        |   |         |
| CT.TEP-B | Tall End Panels - Bored . . . . .                 | 41      |        |   |         |
| CT.WEP   | Wall End Panels . . . . .                         | 41      |        |   |         |
| CT.WEP-B | Wall End Panels - Bored . . . . .                 | 41      |        |   |         |
| CT.ZBHR  | Hanging Rails . . . . .                           | 42      |        |   |         |

# Closetree

Closetree Cabinetry products carry a Limited Lifetime Warranty against defective material and workmanship from date of delivery. Under this Limited Lifetime Warranty, a primary or secondary home does not include rental property. This Limited Lifetime Warranty does not apply to landlords, leasing companies or other commercial purchasers.

Wood is a product of nature, each tree varies in grain, pattern, density and color. Nature's impact determines the wood's distinctive character. Color match and grain patterns will vary because of material characteristics and are not considered defects by Closetree Cabinetry. Exposure to sunlight, smoke and chemicals may cause some materials to fade or vary from their original color over time. Extreme temperatures can cause most solid wood items, like drawers and doors to warp and shrink.

Limits of Warranty:

It is recommended that you use a professional installer to install your cabinetry.

This warranty does not cover misuse, abuse, overloading, improper storage or installation of any kind.

Floating cabinetry, floating shelves or wall cabinetry that is above standard depth, should be installed between cabinets and/or require additional support at time of installation.

Wall cabinetry that is above standard depth should be installed between cabinets, or have extra support against wall.

During the warranty period, all defective materials will be replaced by Closetree Cabinetry at no charge to the consumer. Warranty does not include any other products used in conjunction with the cabinets; including but not limited to: countertops, all appliances, backsplashes, plumbing, fixtures, and all forms of labor including cost of removal, transportation and installation.

All warranty is limited strictly to the item or the part of the item is purchased only.

Warranty does not include damages caused by any other product or natural causes of any form, such as a water damage or a flood. This also includes, all-natural causes such as earthquake, tornado, flood, etc that cause damages.

Any form of misuse, accident, alteration, negligent use is not covered by this warranty.

Cosmetic defects including but not limited to, scratches, dents, bad coloring, and all things that can be spotted with the eye easily are considered cosmetic and should be reported before installation. Scratches and dents can be caused during or after installation and are not covered by this warranty.

Photography is for illustration purposes only. Actual colors may vary from those shown in photographs due to the printing process.



**NATIONS**

CABINERY

4600 US Highway 90 West  
San Antonio, TX. 78237  
P 210.684.1611 / F 210.684.1685  
January 2023

